


Drawing No.	Rev.	Date	Page
SL-TL2018W4B-D3A-A	B	2022/09/13	1/5

# APPROVAL SHEET

Part No: **SL-TL2018W4B-D3A-A**

NOTE :

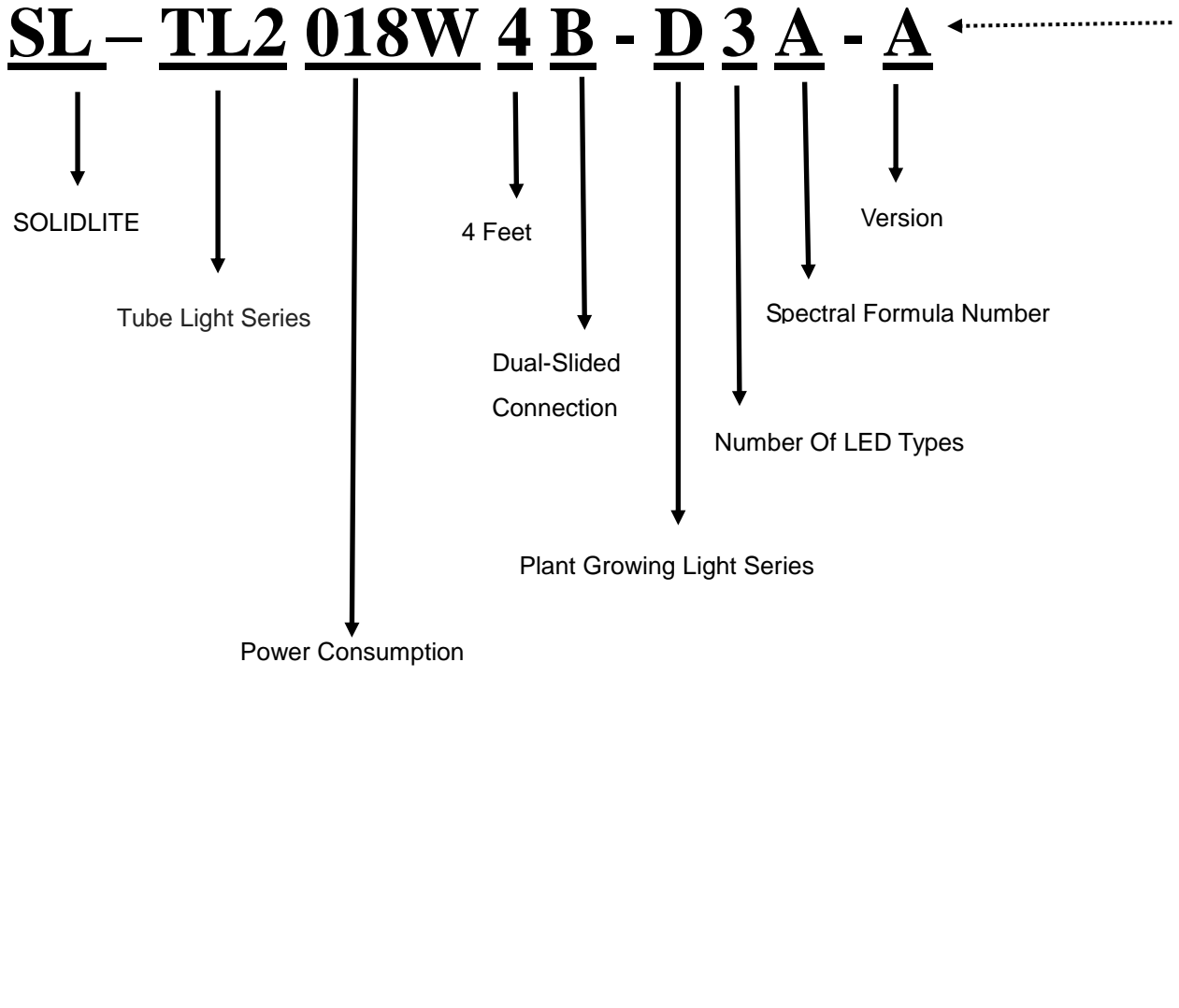
**Plant Growth LED Lamp**

MAKER			CUSTOMER	
				
R&D	QA	Sales	Checked	Approved

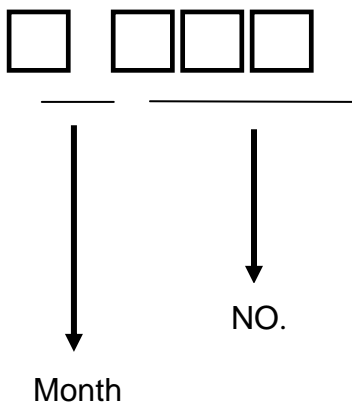
Prepared	Checked	Approved
Rachel Lee	Jacky Shih	Kenneth Wu


Drawing No.	Rev.	Date	Page
SL-TL2018W4B-D3A-A	B	2022/09/13	2/5

**Description of P/N No.**



**Description of Lot.**



**Solidlite Corp.** 

P/N : \_\_\_\_\_

Lot : \_\_\_\_\_

Date: \_\_\_\_\_ . Rank: \_\_\_\_\_

Q'ty : \_\_\_\_\_ . QA : \_\_\_\_\_

Drawing No.	Rev.	Date	Page
SL-TL2018W4B-D3A-A	B	2022/09/13	3/5

## 1、Product Info：

[Product Name]：Waterproof Plant Tube Light  
[Product Number]：SL-TL2018W4B-D3A-A  
[Types]：110V 50/60Hz 18W & 220V 50/60Hz 18W  
[Viewing Angle]：90°  
[Product Photo]：See Below  
[Product Size]：25.4 mm±1\*1265mm±10mm  
[Net Weight]：200g  
[Ingress Protection Rating]：IP67

## 2、Choice attachment：

### 2.1：Power Cable

[Number of Cores]：2-Core Cable  
[Product Size]：L:2475 mm±50  
[Wire Diameter]：Ø0.75 mm<sup>2</sup>±0.1  
[AC Power Plug]：Two Feet Flat Plug  
[Connector]：Male Connector  
[Number of Connections]：Max 10 Lights Tube

### 2.2：End Protector

[Product Size]：L:16 mm±1 Ø 12 mm±1  
[material]：PVC



End Protector

Power Cable



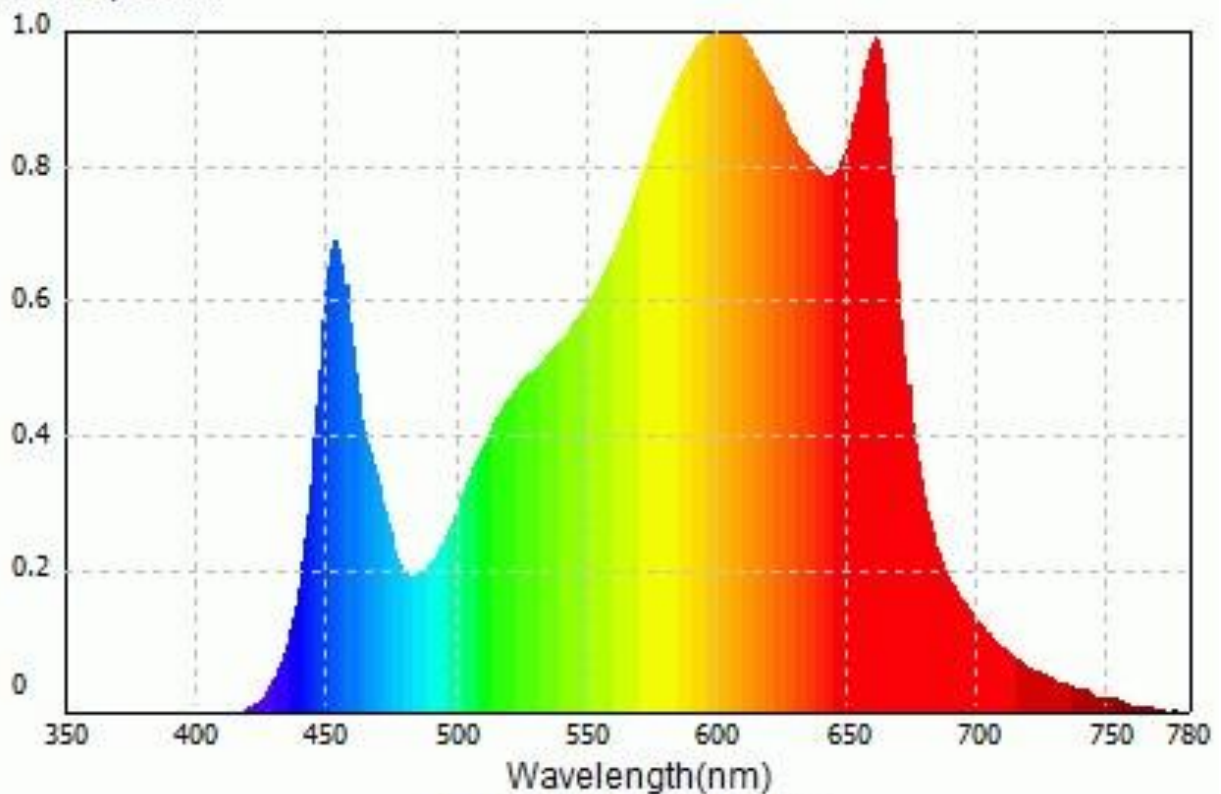
### 3、Product Spec.：

Product No.	SL-TL2018W4B-D3A-A
Input Voltage	85~265VAC
Power Consumption	18W
Power Factor	0.9
Operation Temperature	-20°C ~ 40°C
Beam Angle	90 Degree
IP Level	IP 67
Lamp bead	Warm White

### Photosynthetic Photon Flux Efficiency (Estimated Value)

Wavelength Range	PPF Efficiency (μmol/J) (Typ.)
400~700nm	2.6

Relative Spectral



Spectral Distribution

## Spectrum Measurements Analysis

### Photosynthetic Photon Flux Density

Distance	PPFD ( $\mu\text{mole}/\text{m}^2\cdot\text{s}$ )(Typ.)	Distance	PPFD ( $\mu\text{mole}/\text{m}^2\cdot\text{s}$ )(Typ.)
5cm	230	25cm	75
10cm	146	30cm	64
15cm	115	35cm	58
20cm	90	40cm	52

