


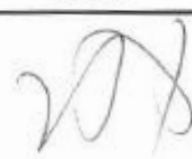


Drawing No.	Rev.	Date	Page
EL-L01-LT104F-DSV-D2423	B	2019/03/05	1/10

# APPROVAL SHEET

**Part No:** EL-L01-LT104F-DSV-D2423(\*)

OPTION(\*):(I): 48PCS/BOX (A): 50PCS/BOX

**NOTE :**  
WIDE-BAND

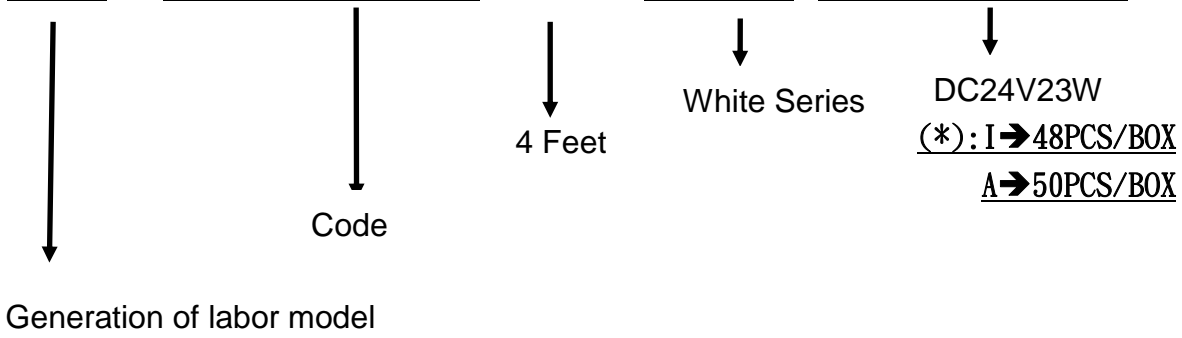
MAKER			CUSTOMER	
				
R&D	QA	Sales	Checked	Approved
				

Prepared	Checked	Approved
Rachel Lee	Evan Chang	Kenneth Wu

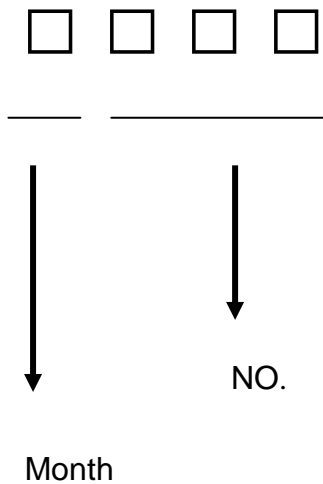
Drawing No.	Rev.	Date	Page
EL-L01-LT104F-DSV-D2423	B	2019/03/05	2/10


**Description of P/N No.**

**EL - L01-LT10 4F - DSV - D2423(\*)**



**Description of Lot.**



**Solidlite Corp.** 

P/N : \_\_\_\_\_

Lot : \_\_\_\_\_

Date: \_\_\_\_\_ . Rank: \_\_\_\_\_

Q'ty : \_\_\_\_\_ . QA : \_\_\_\_\_

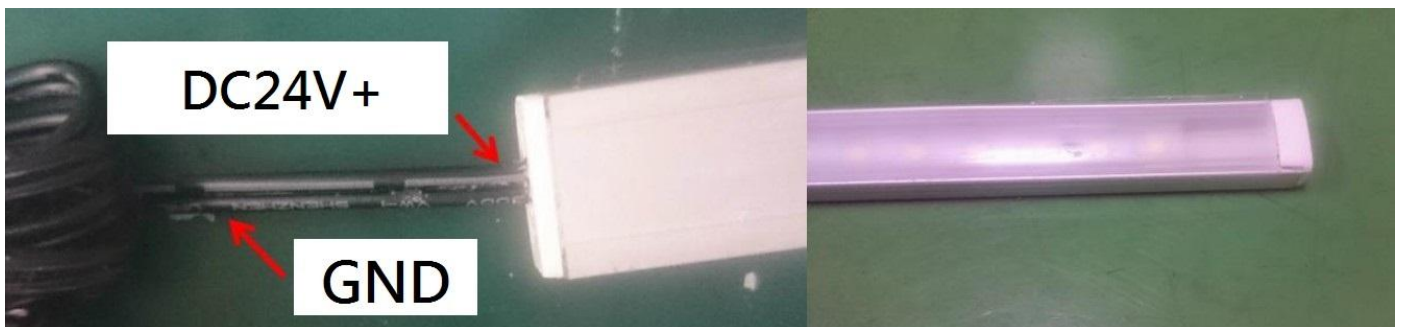
Drawing No.	Rev.	Date	Page
EL-L01-LT104F-DSV-D2423	B	2019/03/05	3/10

## Specification for Approval

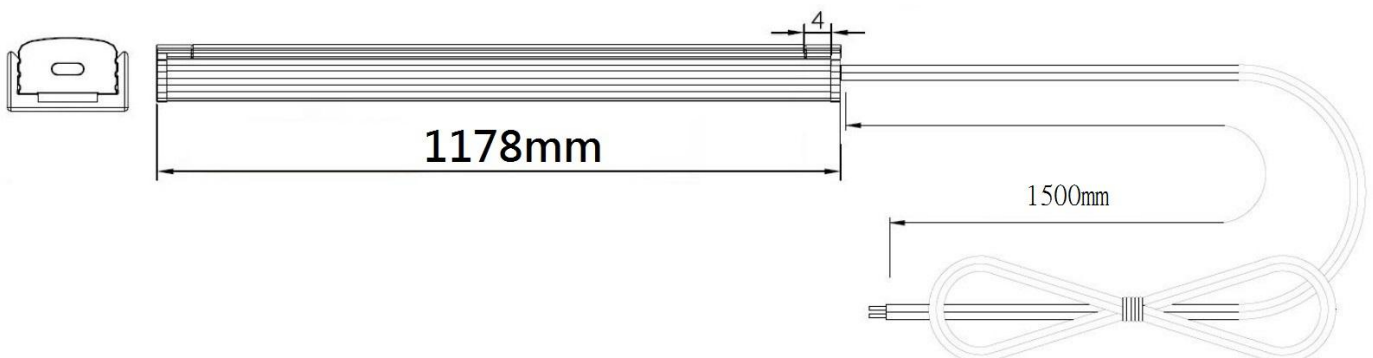
**Product:** LED BAR

**Part Number:** EL-L01-LT104F-DSV-D2423

**Customer:**



### Product size





Drawing No.	Rev.	Date	Page
EL-L01-LT104F-DSV-D2423	B	2019/03/05	4/10

## Applications

**Area:** Indoor use only

**Purpose:**

Plant Growing Lighting, Office Lighting, Meeting Room Lighting , Shop Lighting , Classroom Lighting, Factory Lighting ,.....

## Product Overview

※ Aluminum heat-sink base can dissipate more heat and lead to a longer life span.

## Specification

**Outline Dimension:** (L) 1178 (±4mm)mm

**Input Voltage /Current:** DC24V/960mA

**Operating Temperature / Relative Humidity:** 0°C ~ 35°C / 20% ~ 80 %RH

**Storage Temp Range / Relative Humidity:** -20°C ~ 60°C / 20% ~ 80 %RH

**Heat-Sink Surface Temp:** <60 °C

## Safety warning

**Cautions:**

Keep the luminaire from falling to ground.

## Warranty

Warranty 1 year.

Within three years, should be greater than the original brightness light efficiency of 70%.

## Warnings

Don't expose this product in the high temperature and high humidity environment

Drawing No.	Rev.	Date	Page
EL-L01-LT104F-DSV-D2423	B	2019/03/05	5/10

## Electronic Characteristic

### Absolute Maximum Ratings at $T_a=25^{\circ}\text{C}$

Item	EL-L01-LT104F-DSV-D2423
LED Quantity	112pcs
DC V input	24V
DC I input	960mA
Power Dissipation	23W $\pm$ 10% (20.7W~25.3W)
Heat-Sink Spec.	Aluminum
Mask Spec.	PC
PCB Spec.	FR4
Length	1178 ( $\pm$ 4mm)mm
Width	15 $\pm$ 1mm
Net weight	115g $\pm$ 10g

## Typical Internal Equivalent Circuits



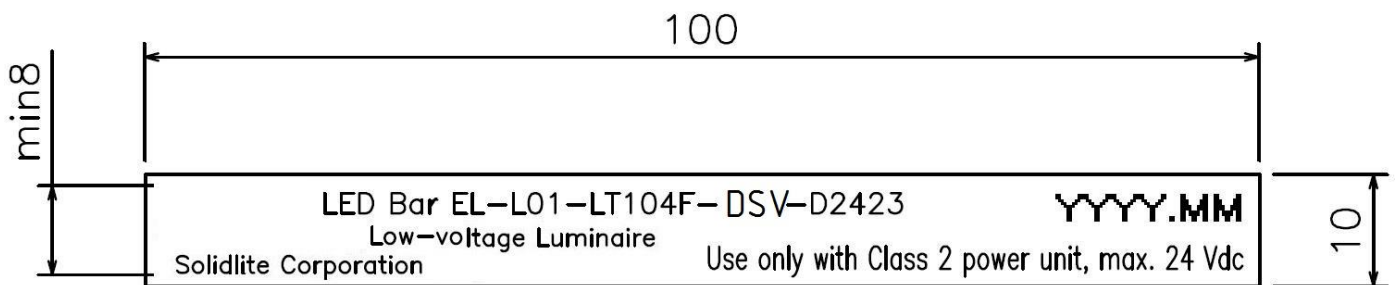


Drawing No.	Rev.	Date	Page
EL-L01-LT104F-DSV-D2423	B	2019/03/05	6/10

## Optical Characteristic

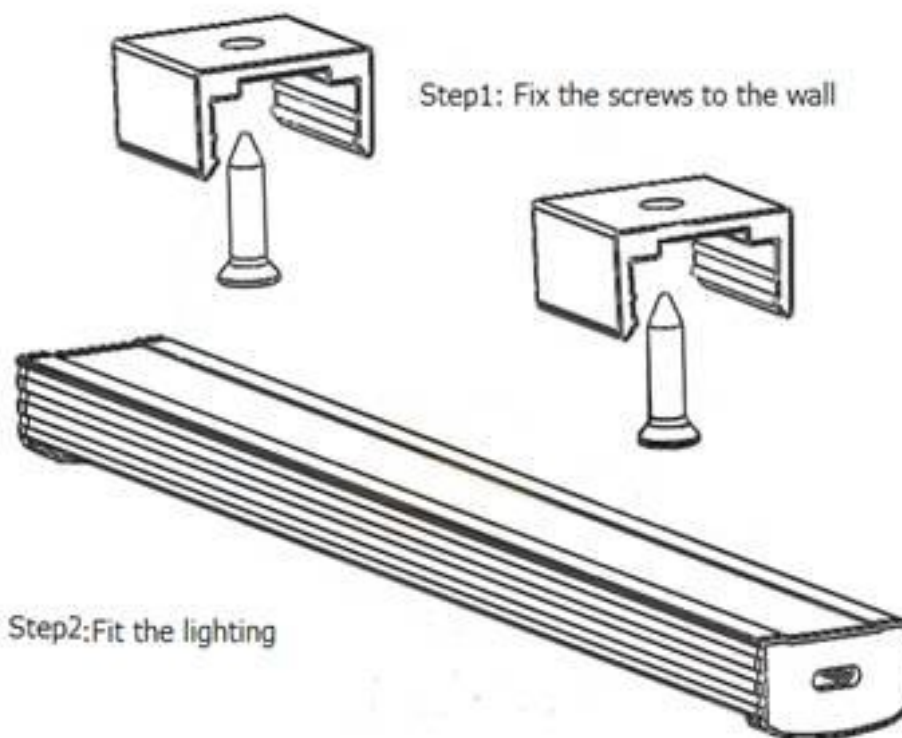
Item	EL-L01-LT104F-DSV-D2423
View Angle	120°
Quantum (The center of the amount of survey)	>50 $\mu\text{mol} / \text{m}^2 / \text{s}$ @30cm reference value with Delta HD2102.2
RECIPE	DSV

## LABEL



Drawing No.	Rev.	Date	Page
EL-L01-LT104F-DSV-D2423	B	2019/03/05	7/10

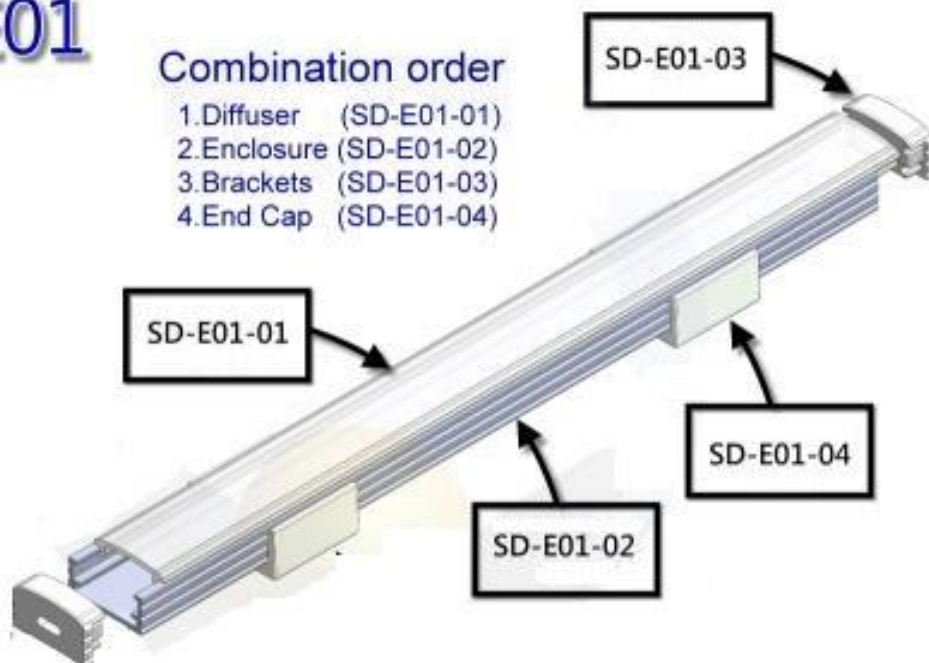
## Installation Instructions



## SD-E01

### Combination order

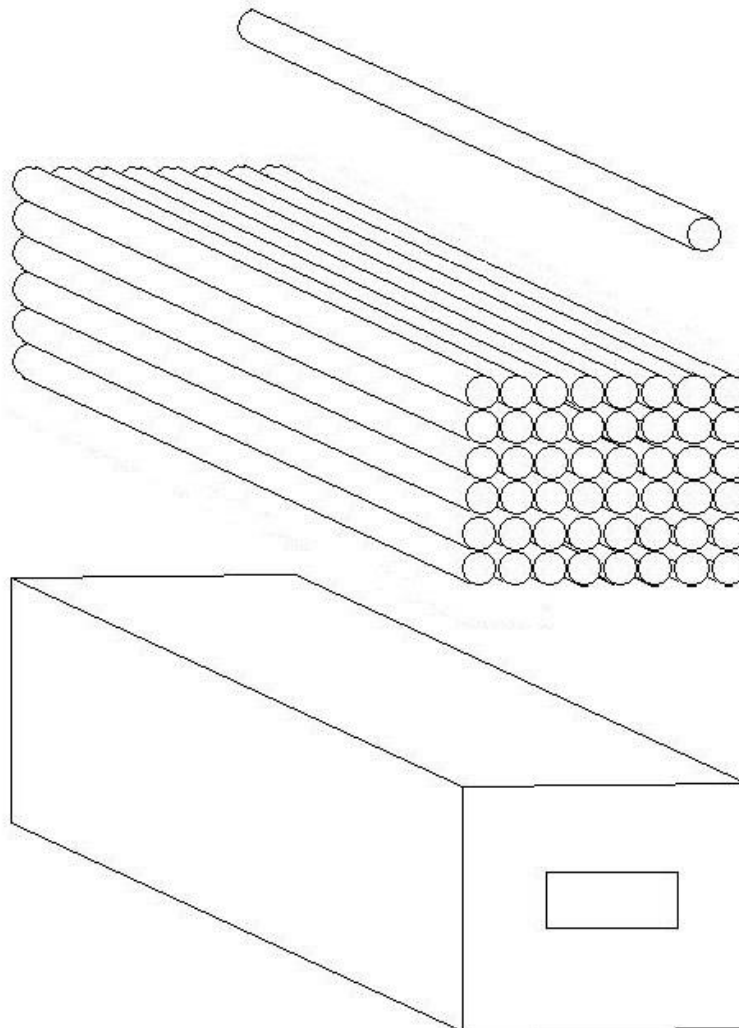
1. Diffuser (SD-E01-01)
2. Enclosure (SD-E01-02)
3. Brackets (SD-E01-03)
4. End Cap (SD-E01-04)



Drawing No.	Rev.	Date	Page
EL-L01-LT104F-DSV-D2423	B	2019/03/05	8/10

## Package

Option: I (48PCS/BOX)



**Q'ty = 48pcs**

**L = 1250mm, W = 215mm, H = 180mm**



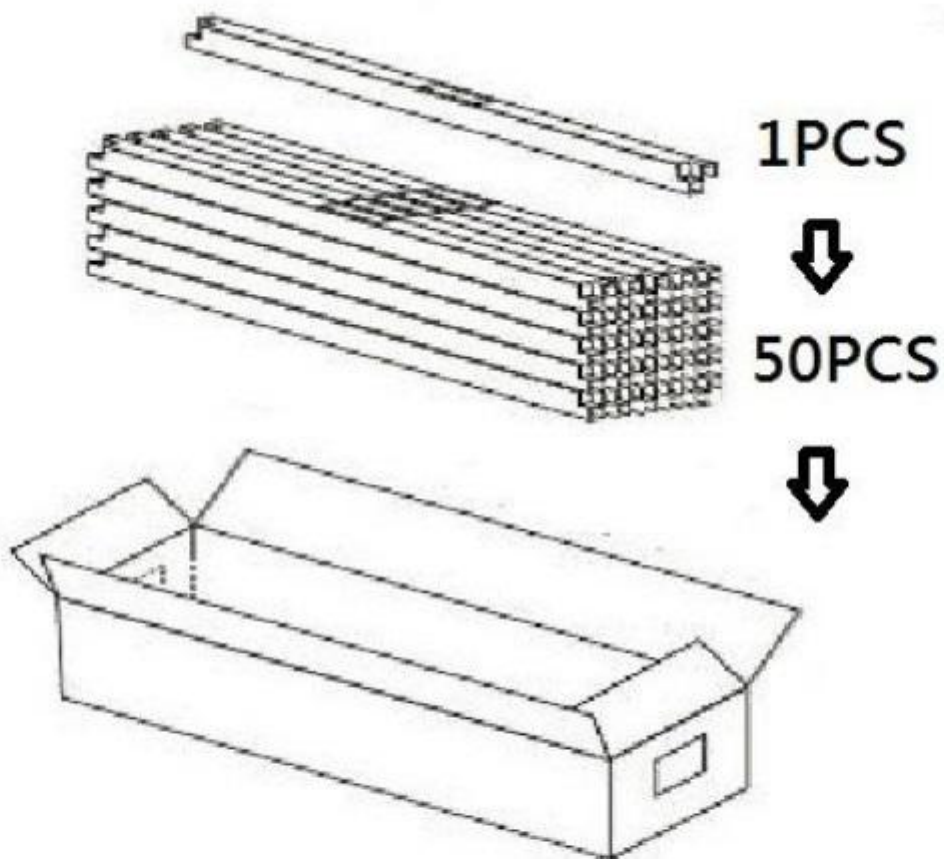
**This product is prohibited to be immersed in liquid.**





Drawing No.	Rev.	Date	Page
EL-L01-LT104F-DSV-D2423	B	2019/03/05	9/10

**Option: A (50PCS/BOX)**



Q'ty = 50 pcs

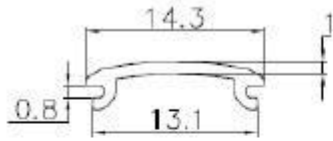
L = 1250mm, W = 215mm, H = 180mm



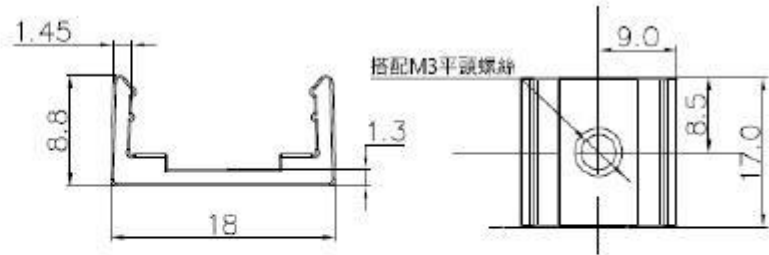
**This product is prohibited to be immersed in liquid.**

\*Please choose the right package(I OR A), in order to avoid damage to goods during transportation.

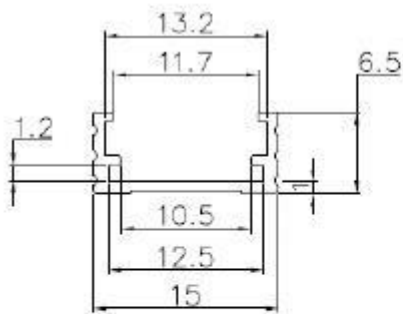
Drawing No.	Rev.	Date	Page
EL-L01-LT104F-DSV-D2423	B	2019/03/05	10/10



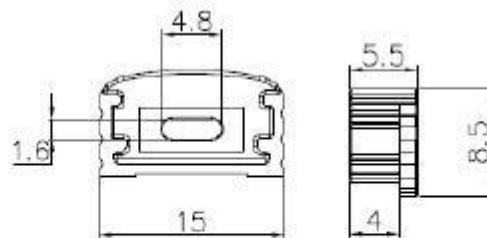
- 1 SD-E01-01/Diffuser
- 2 Length; 1167±1mm
- 3 Material: PC Clear



- 1 SD-E01-03/ Brackets
- 2 Material: PBT-94V0
- 3 Color: White



- 1 SD-E01-02/Enclosure
- 2 Length; 1175±1mm
- 3 Material: AL6063
- 4 Anodizing



- 1 SD-E01-04/ End Cap
- 2 Material: PBT-94V0
- 3 Color: White