


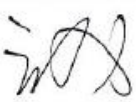


Drawing No.	Rev.	Date	Page
EL-L01-LT104F-D3A-A-D2423	A	2021/12/22	1/9

APPROVAL SHEET

Part No: **EL-L01-LT104F-D3A-A-D2423(*)**

OPTION(*):(I): 48PCS/BOX (A): 50PCS/BOX

NOTE :
WIDE-BAND

MAKER			CUSTOMER	
				
R&D	QA	Sales	Checked	Approved
				

Prepared	Checked	Approved
Rachel Lee	Evan Chang	Kenneth Wu

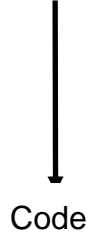
Drawing No.	Rev.	Date	Page
EL-L01-LT104F-D3A-A-D2423	A	2021/12/22	2/9

Description of P/N No.

EL - L01-LT10 4F - D3A-A- D2423(*)



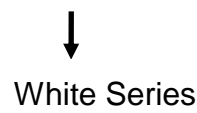
Generation of labor model



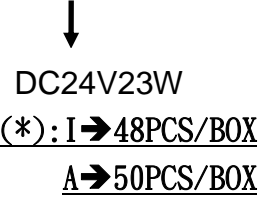
Code



4 Feet



White Series



DC24V23W
 (*): I → 48PCS/BOX
 A → 50PCS/BOX


Description of Lot.



Month



NO.

Solidlite Corp. 

P/N : _____

Lot : _____

Date: _____ . Rank: _____

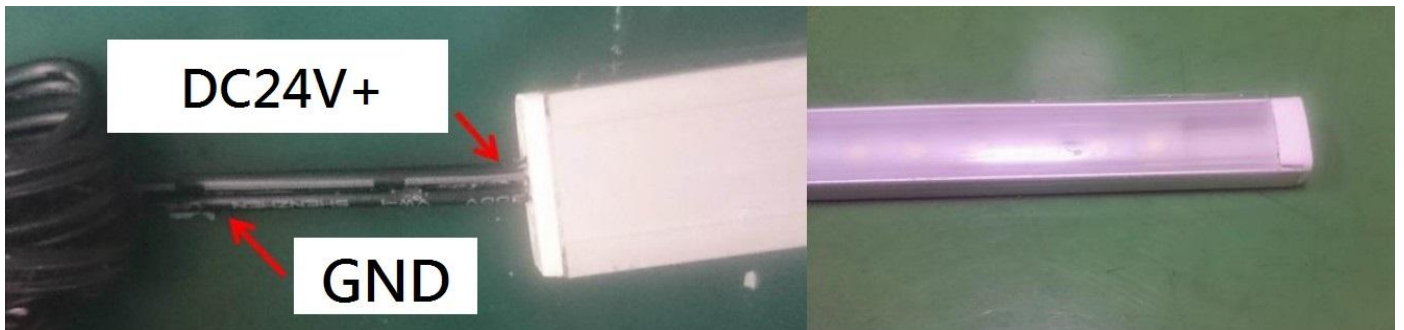
Q'ty : _____ . QA : _____

Drawing No.	Rev.	Date	Page
EL-L01-LT104F-D3A-A-D2423	A	2021/12/22	3/9

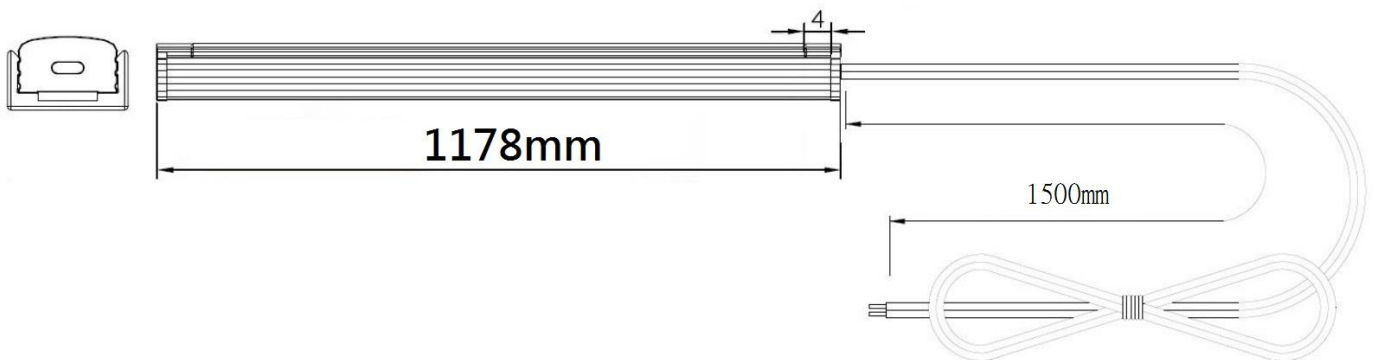
Specification for Approval

Product: LED BAR

Part Number: EL-L01-LT104F-D3A-A-D2423



Product size





Drawing No.	Rev.	Date	Page
EL-L01-LT104F-D3A-A-D2423	A	2021/12/22	4/9

Applications

Area: Indoor use only

Purpose:

Plant Growing Lighting, Office Lighting, Meeting Room Lighting , Shop Lighting , Classroom Lighting, Factory Lighting ,.....

Product Overview

※ Aluminum heat-sink base can dissipate more heat and lead to a longer life span.

Specification

Outline Dimension: (L) 1178 (±4mm)mm

Input Voltage /Current: DC24V/960mA

Operating Temperature / Relative Humidity: 0°C ~ 35°C / 20% ~ 80 %RH

Storage Temp Range / Relative Humidity: -20°C ~ 60°C / 20% ~ 80 %RH

Heat-Sink Surface Temp: <60 °C

Safety warning

Cautions:

Keep the luminaire from falling to ground.

Warranty

Warranty 1 year.

Within three years, should be greater than the original brightness light efficiency of 70%.

Warnings

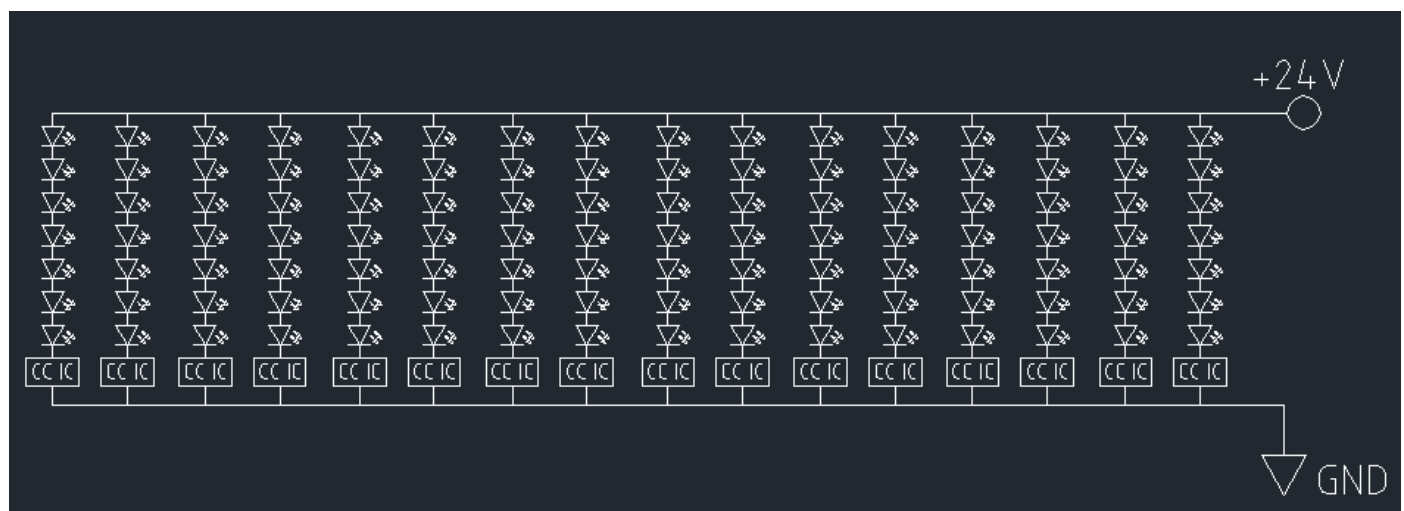
Don't expose this product in the high temperature and high humidity environment

Electronic Charateristic

Absolute Maximum Ratings at $T_a=25^\circ\text{C}$

Item	EL-L01-LT104F-D3A-A-D2423
LED Quantity	112pcs
DC V input	24V
DC I input	960mA
Power Dissipation	23W \pm 10% (20.7W~25.3W)
Heat-Sink Spec.	Aluminum
Mask Spec.	PC
PCB Spec.	FR4
Length	1178 (\pm 4mm)mm
Width	15 \pm 1mm
Net weight	115g \pm 10g

Typical Internal Equivalent Circuits

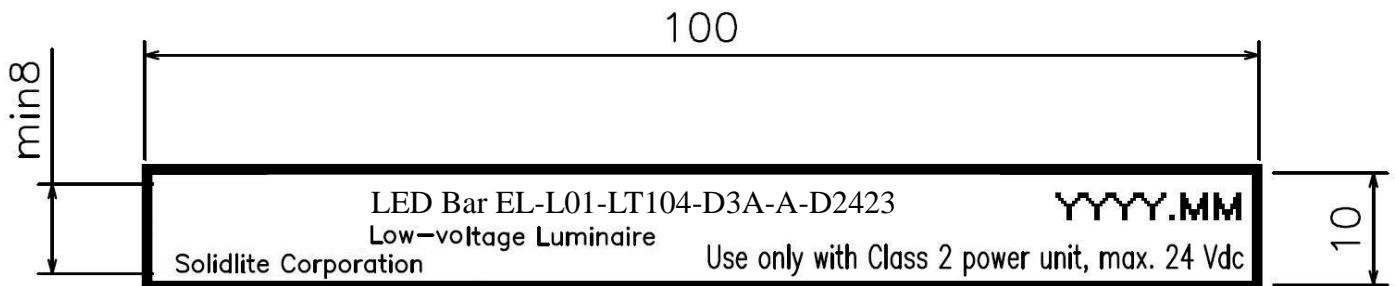


Drawing No.	Rev.	Date	Page
EL-L01-LT104F-D3A-A-D2423	A	2021/12/22	6/9

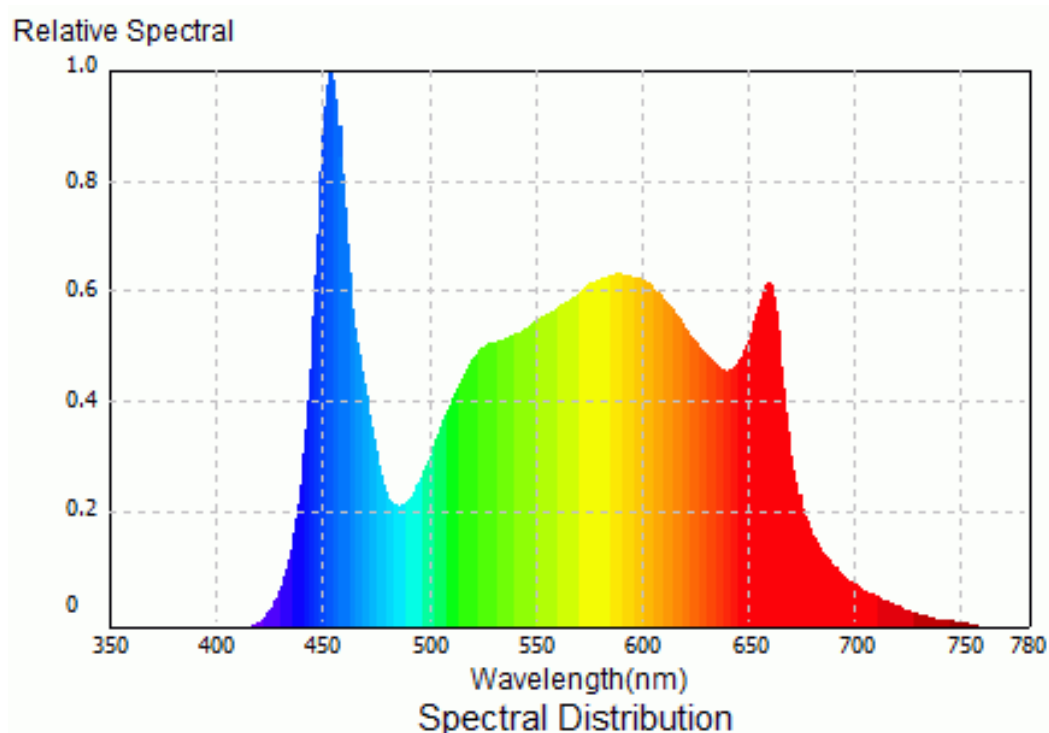
Optical Characteristic

Item	EL-L01-LT104F-D3A-A-D2423
View Angle	120°
Quantum (The center of the amount of survey)	>140 $\mu\text{mol}/\text{m}^2/\text{s}$ @30cm reference value with Delta HD2102.2

LABEL

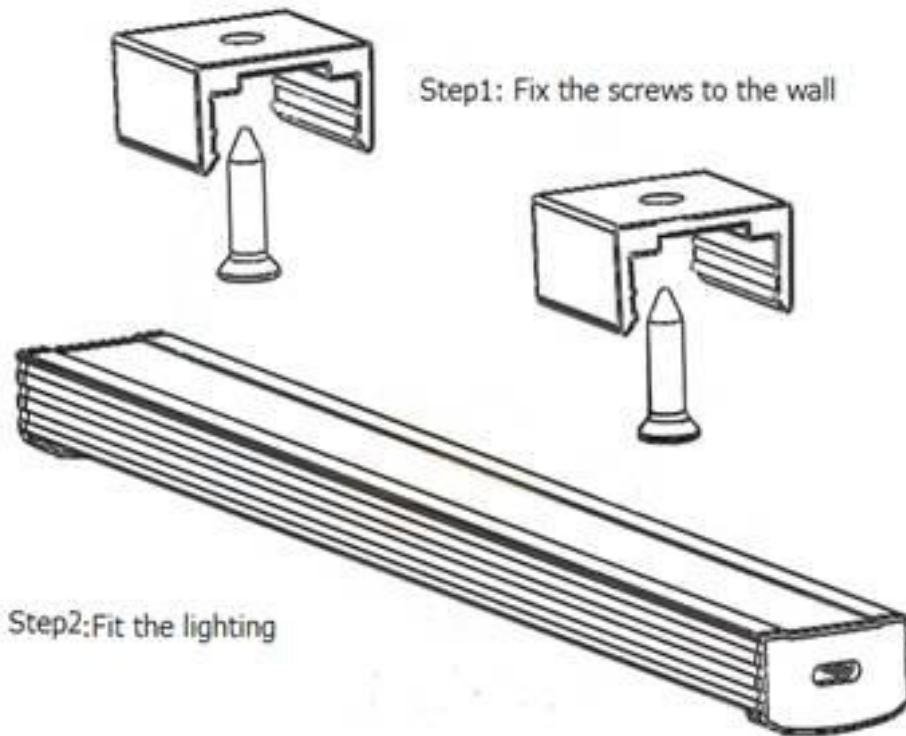


Wavelength(nm)



Drawing No.	Rev.	Date	Page
EL-L01-LT104F-D3A-A-D2423	A	2021/12/22	7/9

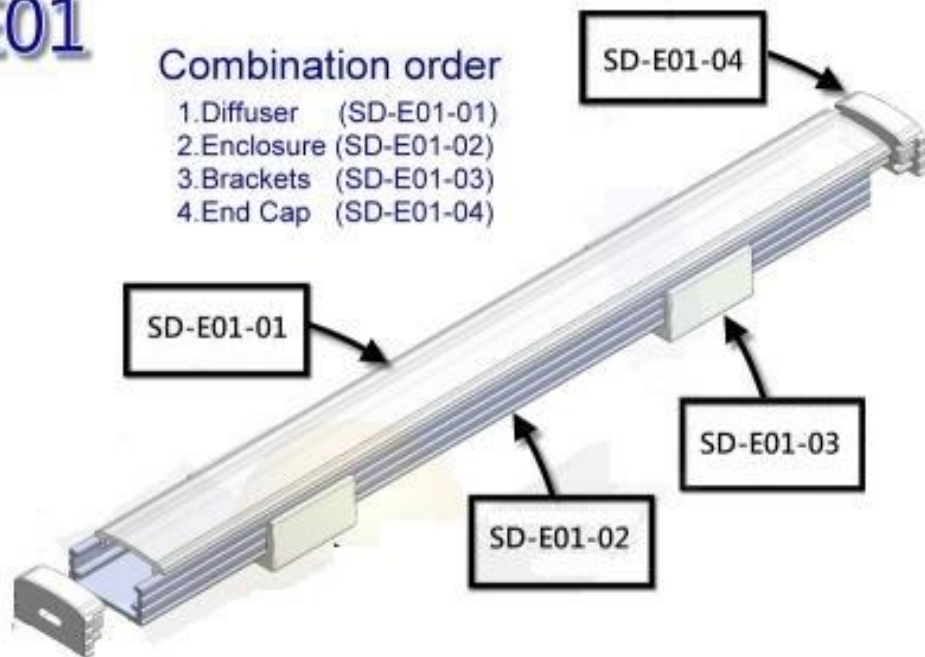
Installation Instructions



SD-E01

Combination order

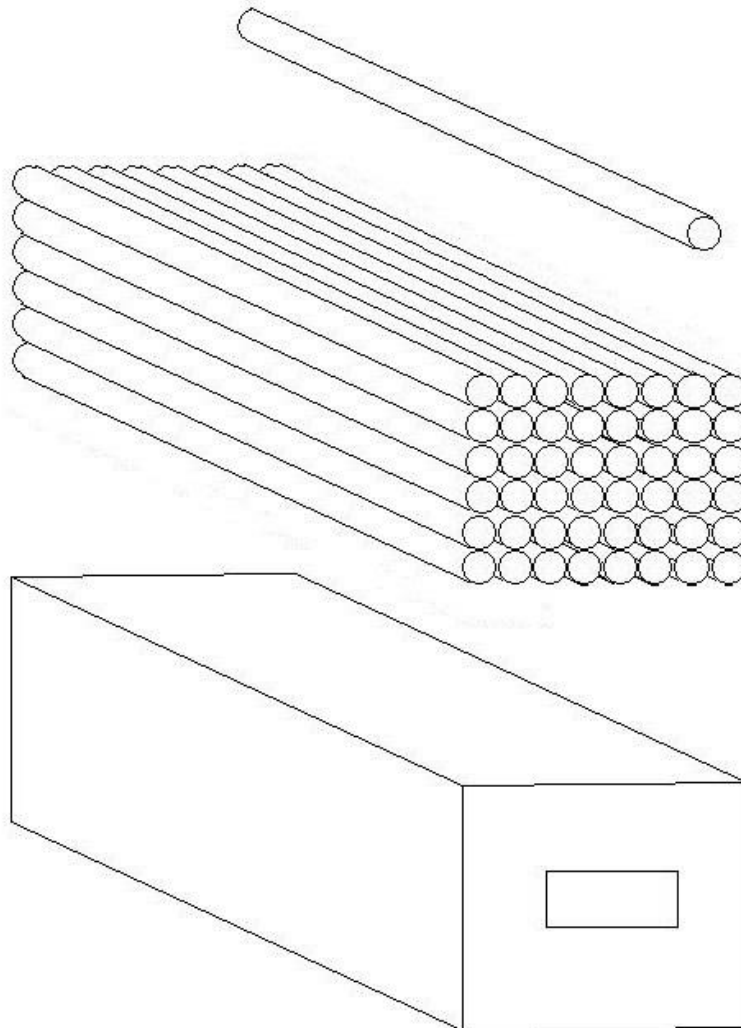
1. Diffuser (SD-E01-01)
2. Enclosure (SD-E01-02)
3. Brackets (SD-E01-03)
4. End Cap (SD-E01-04)



Drawing No.	Rev.	Date	Page
EL-L01-LT104F-D3A-A-D2423	A	2021/12/22	8/9

Package

Option: I (48PCS/BOX)



Q'ty = 48pcs

L = 1250mm, W = 215mm, H = 180mm

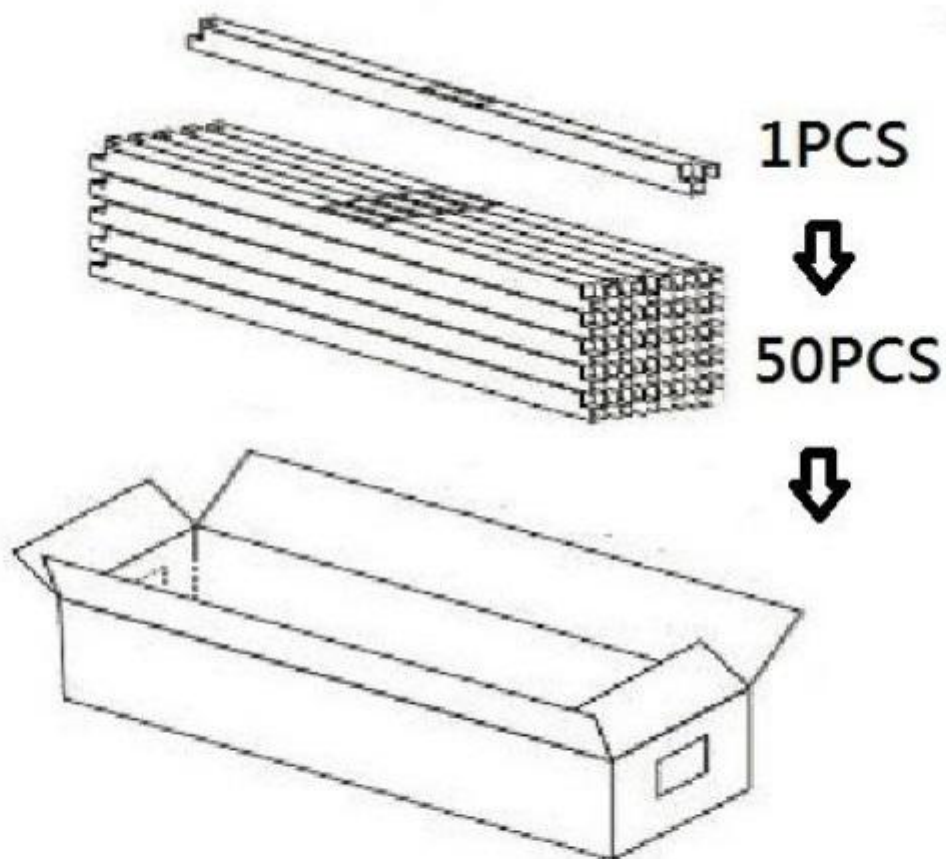


This product is prohibited to be immersed in liquid.



Drawing No.	Rev.	Date	Page
EL-L01-LT104F-D3A-A-D2423	A	2021/12/22	9/9

Option: A (50PCS/BOX)



Q'ty = 50 pcs

L = 1250mm, W = 215mm, H = 180mm



This product is prohibited to be immersed in liquid.

*Please choose the right package(I OR A), in order to avoid damage to goods during transportation.