


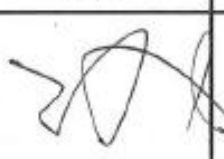


Drawing No.	Rev.	Date	Page
EL-L01-LT103F-DSA-D2418	A	2017/09/27	1/11

APPROVAL SHEET

Part No: **EL-L01-LT103F-DSA-D2418(*)**

OPTION(*):(I): 48PCS/BOX (A): 50PCS/BOX

NOTE :
WIDE-BAND

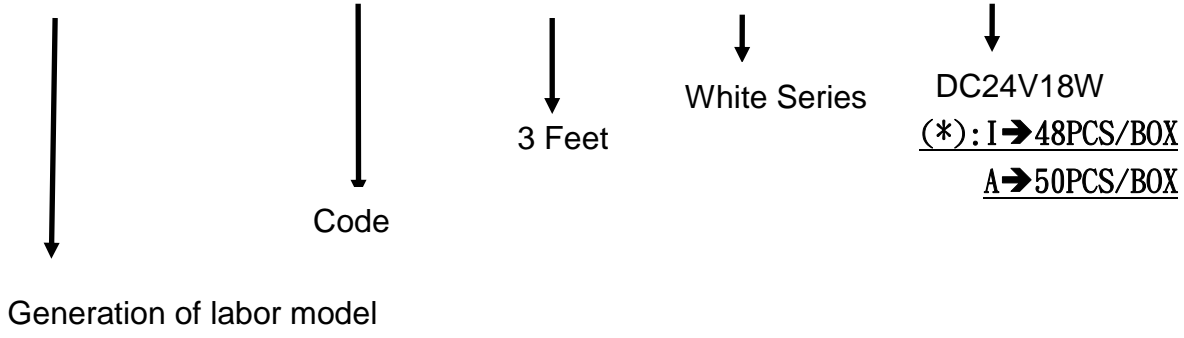
MAKER			CUSTOMER	
				
R&D	QA	Sales	Checked	Approved
				

Prepared	Checked	Approved
Rachel Lee	Evan Chang	Kenneth Wu

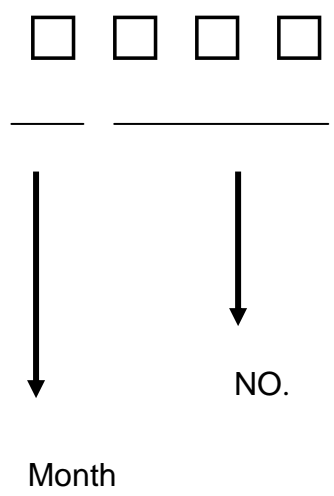
Drawing No.	Rev.	Date	Page
EL-L01-LT103F-DSA-D2418	A	2017/09/27	2/11


Description of P/N No.

EL - L01-LT10 3F - DSA- D2418(*)



Description of Lot.



Solidlite Corp. 

P/N : _____

Lot : _____

Date: _____ . Rank: _____

Q'ty : _____ . QA : _____

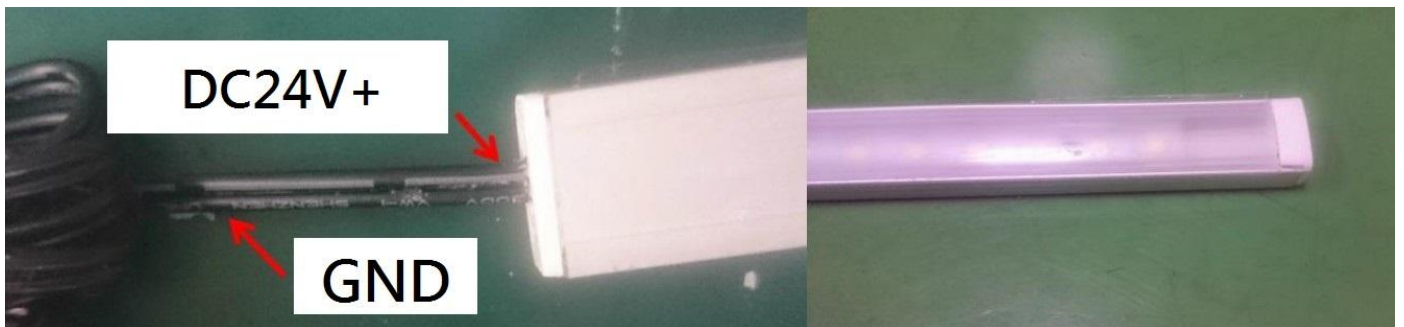
Drawing No.	Rev.	Date	Page
EL-L01-LT103F-DSA-D2418	A	2017/09/27	3/11

Specification for Approval

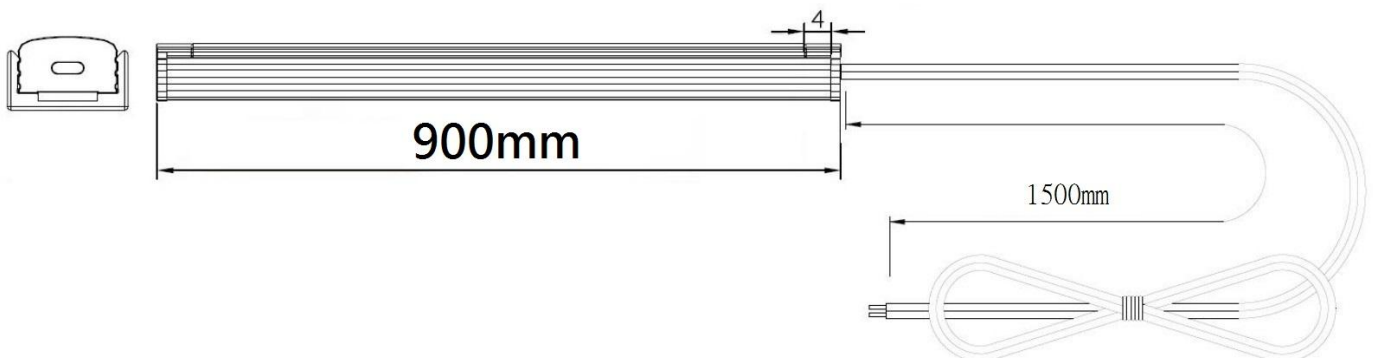
Product: LED BAR

Part Number: EL-L01-LT103F-DSA-D2418

Customer:



Product size



Drawing No.	Rev.	Date	Page
EL-L01-LT103F-DSA-D2418	A	2017/09/27	4/11

Applications

Area: Indoor use only

Purpose:

Plant Growing Lighting, Office Lighting, Meeting Room Lighting , Shop Lighting , Classroom Lighting, Factory Lighting ,.....

Product Overview

※ Aluminum heat-sink base can dissipate more heat and lead to a longer life span.

Specification

Outline Dimension: (L) 900 (±4mm)mm

Input Voltage /Current: DC24V/720mA

Operating Temperature / Relative Humidity: 0°C ~ 35°C / 20% ~ 80 %RH

Storage Temp Range / Relative Humidity: -20°C ~ 60°C / 20% ~ 80 %RH

Ingress Protection: Coating

Life Expectancy of LEDs :40000hrs (@IF=60mA Ta=25°C)

Heat-Sink Surface Temp: <60 °C

Safety warning

Cautions:

Don't drop the luminaire on the ground since the luminaire will be damaged

Warranty

Warranty 1 years.

Should not have an adverse early.

Within one years, must be greater than the original brightness light efficiency of 85%.

Warnings

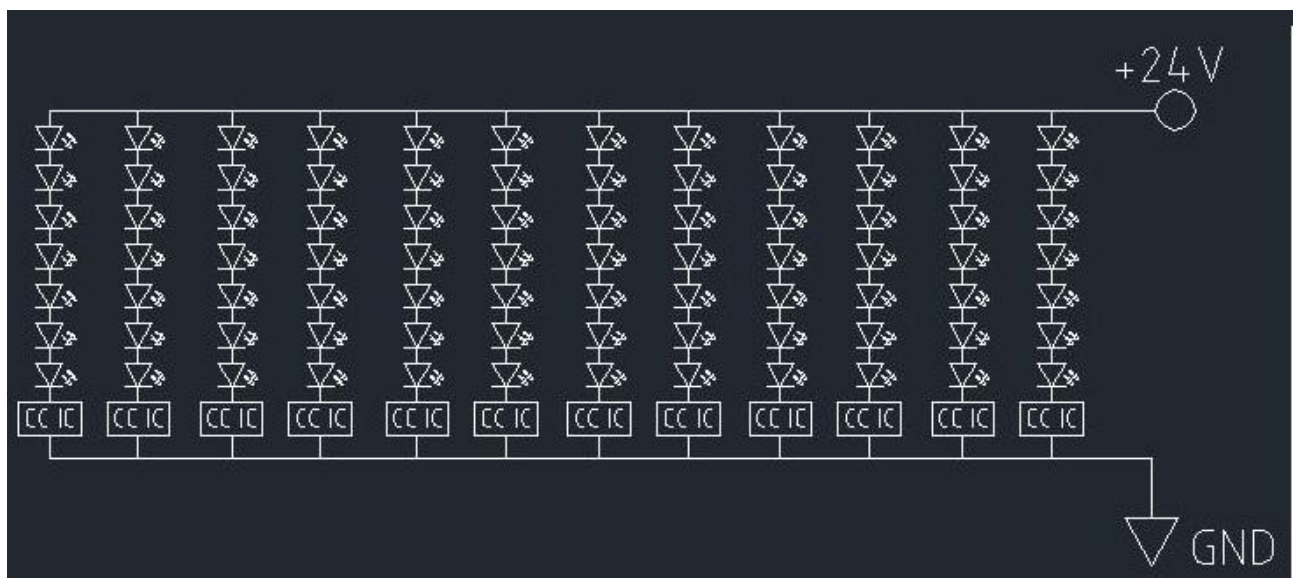
Don't expose this product at the high temperature and high humidity environment

Electronic Charateristic

Absolute Maximum Ratings at $T_a=25^{\circ}\text{C}$

Item	EL-L01-LT103F-DSA-D2418
LED Quantity	84pcs
DC V input	24V
DC I input	0.72A
Power Dissipation	18W \pm 10%
Heat-Sink Spec.	Aluminum
Mask Spec.	PC
PCB Spec.	FR4
Length	900 (\pm 4mm)mm
Width	15 \pm 1mm
Net weight	100g \pm 50g

Typical Internal Equivalent Circuits

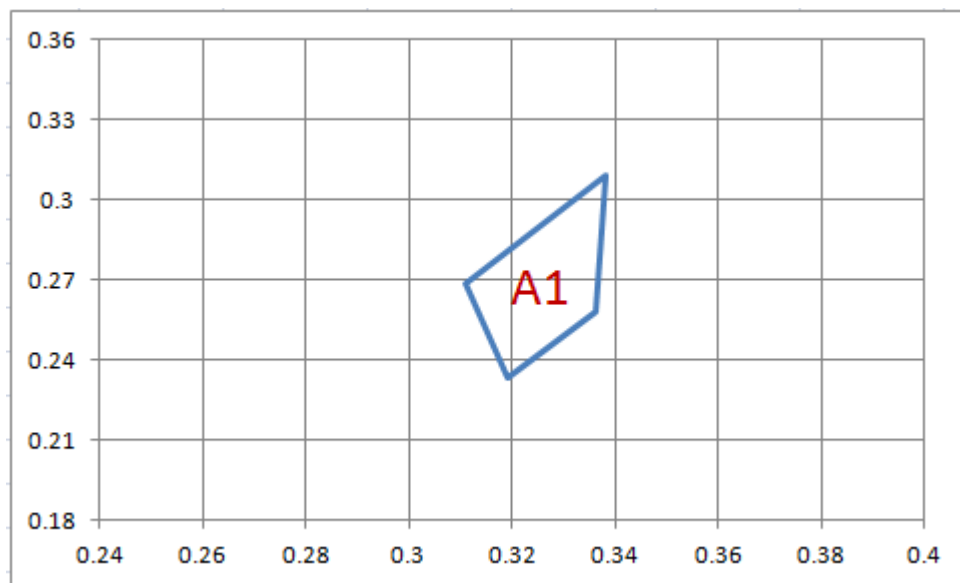


Drawing No.	Rev.	Date	Page
EL-L01-LT103F-DSA-D2418	A	2017/09/27	6/11

Optical Characteristic

Item	EL-L01-LT103F-DSA-D2418
View Angle	120°
Quantum (The center of the amount of survey)	>40umol m-2s-1 @30cm reference value with Delta HD2102.2
COLOR	DSA
CRI	>80

Chromaticity Coordinate



CIE X./Y :

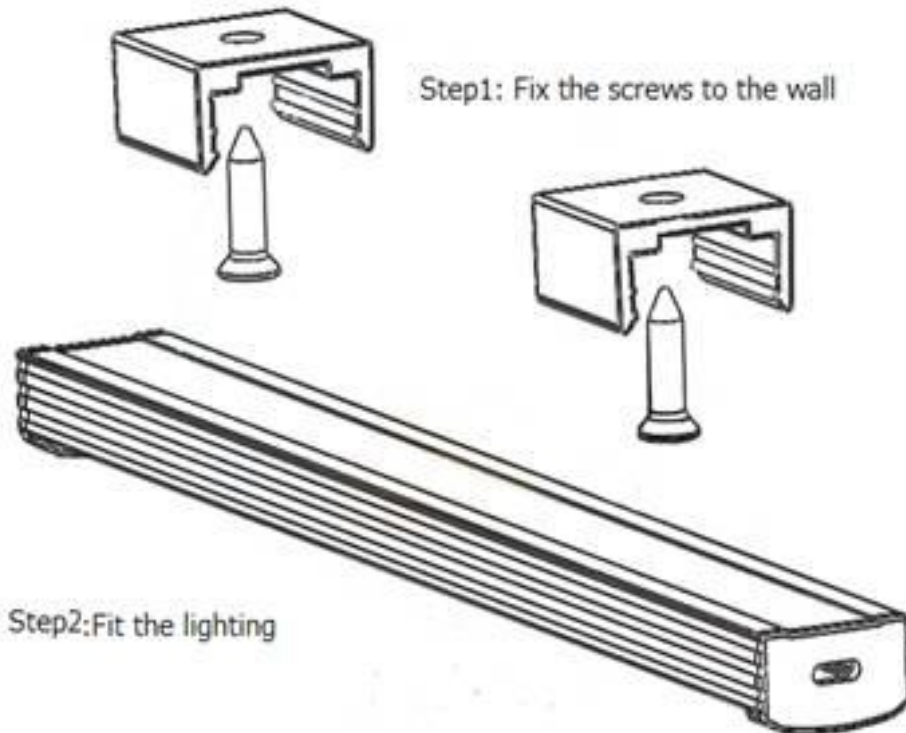
A1 --- (0.311, 0.269) (0.338, 0.309) (0.336, 0.258) (0.319, 0.233)

LABEL

SOLIDLITE 詮興開發科技股份有限公司	EL-L01-LT103F-DSA-D2418 LED Batten Lighting 24V18W LED層板燈 24V18W	輸入電圧: DC24V 消耗功率: 18W 輸入電流: 0.72A	1531 MADE IN TAIWAN
----------------------------------	--	---	-------------------------------

Drawing No.	Rev.	Date	Page
EL-L01-LT103F-DSA-D2418	A	2017/09/27	7/11

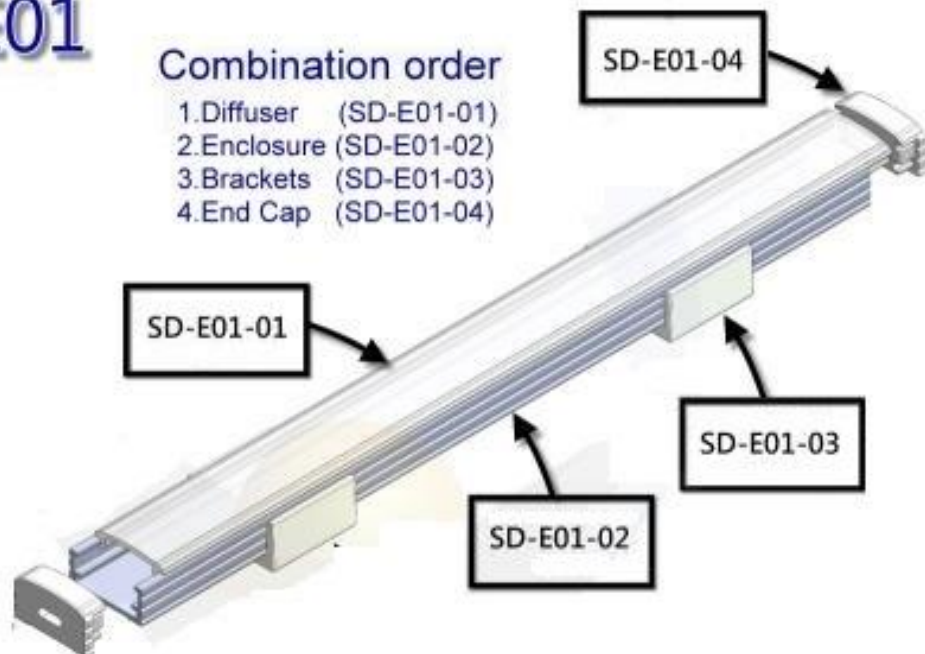
Installation Instructions



SD-E01

Combination order

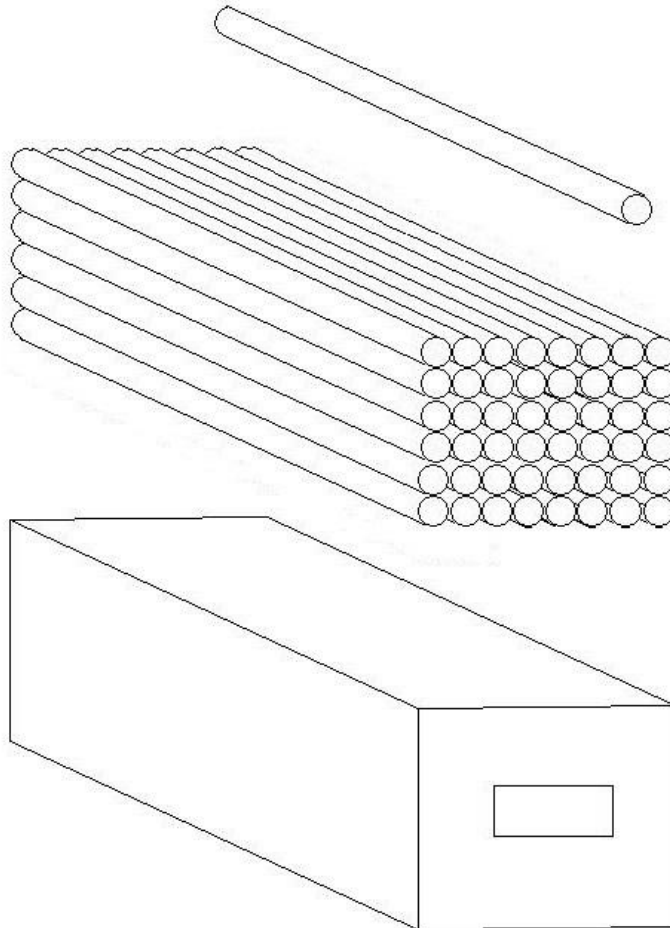
1. Diffuser (SD-E01-01)
2. Enclosure (SD-E01-02)
3. Brackets (SD-E01-03)
4. End Cap (SD-E01-04)



Drawing No.	Rev.	Date	Page
EL-L01-LT103F-DSA-D2418	A	2017/09/27	8/11

Package information

Option: I (48PCS/BOX)



Q'ty = 48pcs

L = 1020mm, W = 215mm, H = 180mm

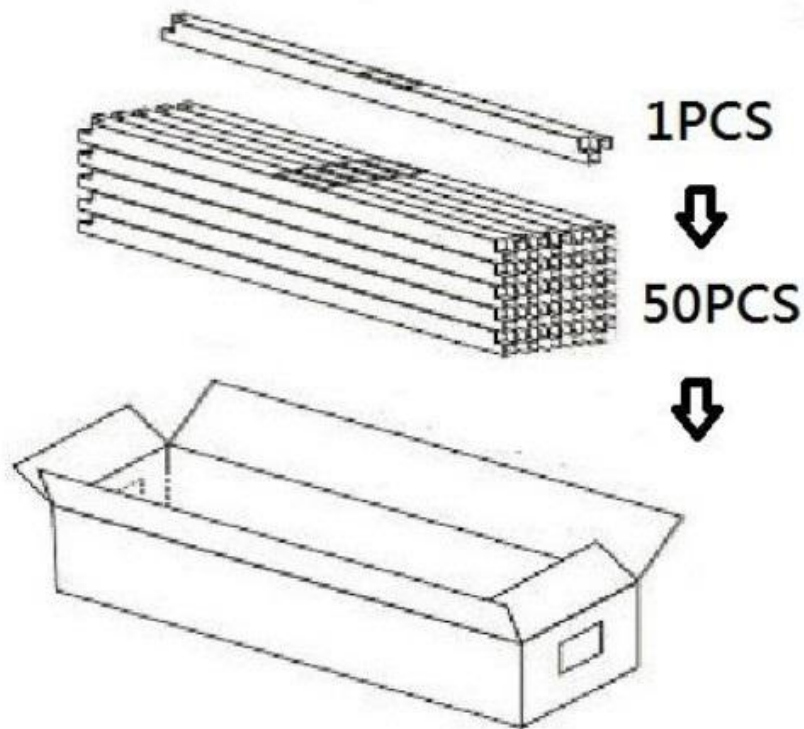


This product is prohibited material immersed in liquid.

- According to our design, the device is driven by 100~240V of AC power.
- The fluorescent is designed for moisture-proof use only. Don't put it into water.
- It is normal that the device will delay starting 2 seconds due to carrier charging after the turning on.

Drawing No.	Rev.	Date	Page
EL-L01-LT103F-DSA-D2418	A	2017/09/27	9/11

Option: A (50PCS/BOX)



Q'ty = 50 pcs

L=1020,W=215,H=180mm



This product is prohibited material immersed in liquid.

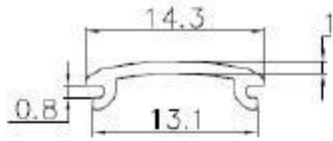
- According to our design, the device is driven by 100~240V of AC power.
- The fluorescent is designed for moisture-proof use only. Don't put it into water.
- It is normal that the device will delay starting 2 seconds due to carrier charging after the turning on.

Drawing No.	Rev.	Date	Page
EL-L01-LT103F-DSA-D2418	A	2017/09/27	10/11

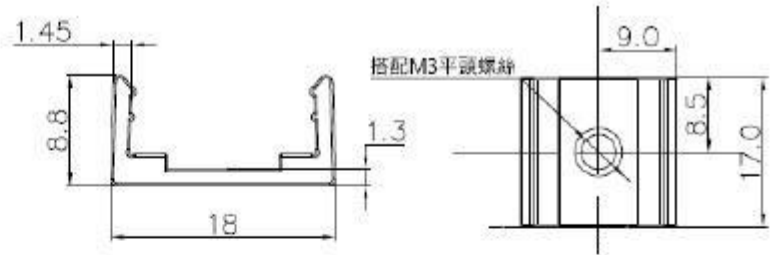
BOM list

		Part No.: EL-L01-LT103F-D##-D2418		BOM													
HL3528A/DOM/18W/LED/TUBE(84 pcs/set)/3P+																	
				<table border="1"> <tr> <td>Date</td> <td>File No.</td> <td>Ver.</td> </tr> <tr> <td></td> <td>EL-L01-LT103F-D##-D2418</td> <td>A</td> </tr> <tr> <td>Production specification</td> <td>File NO.</td> <td></td> </tr> <tr> <td></td> <td>AL3528A-T2</td> <td></td> </tr> </table>		Date	File No.	Ver.		EL-L01-LT103F-D##-D2418	A	Production specification	File NO.			AL3528A-T2	
Date	File No.	Ver.															
	EL-L01-LT103F-D##-D2418	A															
Production specification	File NO.																
	AL3528A-T2																
No.	Part No.	P/N	Manufacturer	spec	unit	Quantity	suppliers	remark									
1	-	LED	HL3528A-D##-060mA	VF-2-8-3-3	PCS	84	solidlite	TE/EP/STAR									
2	A4C017	PCB LIGHT BAR	D035-H4703-1E	Size: 12mm*0.1mm*290mm*0.1mm*0.8mm * 0.8mm * 28mm LED	PCS	3	CHUNGLAI										
3	4HB033	Aluminum Tube	SD-E01-02	897H1x15H0.3mm, t:0.5H0.2mm, Thickness 1mm AL-6063	PCS	1	icube										
4	4E9012	IC	NU501-1A60(sot23-3)	CC_IC,SOT23-3,3PIN1.5V-12V,CC 60mA,3000ea/Reel	PCS	12	numen-tech										
5	4FB046	lampshade	SD-E01-01	887H1x14.3+0/-0.1mm,PC	PCS	1	icube										
6	4FB029	carigo lash	SD-E01-03	8.8mmX.19mmX1.5mm*H0.3, PBT	PCS	1	icube										
7	4FB030	CAP	SD-E01-04	15mm*5.5mm*8.5mm, PBT	PCS	1	icube										
8	5EH020	SILICONE-A	E507-400	SILICONE,E507-A(M)	CC	10	Finesil										
9	5EH025	SILICONE-B	E507-400	SILICONE,E507-B(S)	CC	1	Finesil										
10	4I3091	WIRE(DC)	A37415005	JUL2468#24*2F/10T/2T L-1500mm+15/-0mm	PCS	1	LJC										
11																	
File ver.		Explanation		Date	Production unit	Approval	Check	Tabulation									
A		New File			RD/Engineerin g												
TM-E40 ver.A																	

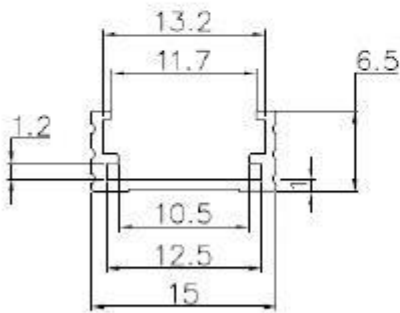
Drawing No.	Rev.	Date	Page
EL-L01-LT103F-DSA-D2418	A	2017/09/27	11/11



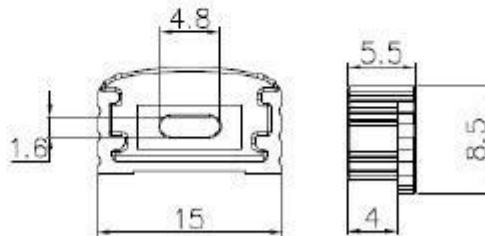
- 1 SD-E01-01/Diffuser
- 2 Length; 889 ±1mm
- 3 Material: PC Clear



- 1 SD-E01-03/ Brackets
- 2 Material: PBT-94V0
- 3 Color: White



- 1 SD-E01-02/Enclosure
- 2 Length; 897 ±1mm
- 3 Material: AL6063
- 4 Anodizing



- 1 SD-E01-04/ End Cap
- 2 Material: PBT-94V0
- 3 Color: White

*Please make sure the package, in order to avoid damage to goods during transportation.