



Drawing No.	Rev.	Date	Page
EL-L01-LT102F-DSM-D2411	A	2018/05/28	1/7

# APPROVAL SHEET

Part No: **EL-L01-LT102F-DSM-D2411**

NOTE :  
**WIDE-BAND**

MAKER			CUSTOMER	
R&D	QA	Sales	Checked	Approved

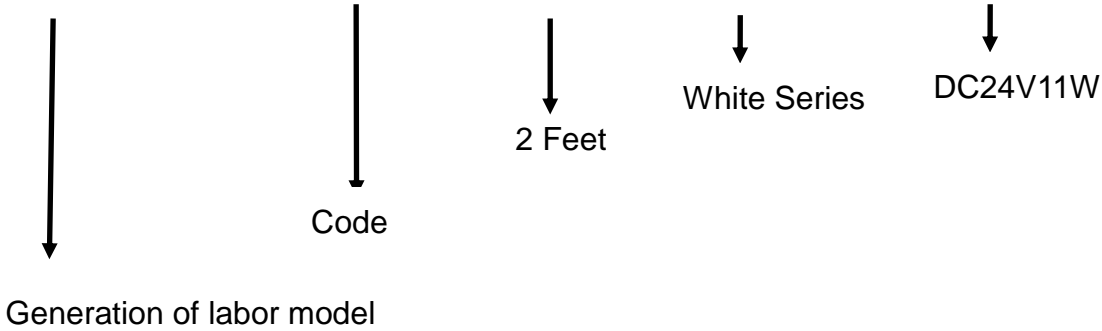
Prepared	Checked	Approved
Rachel Lee	Evan Chang	Kenneth Wu



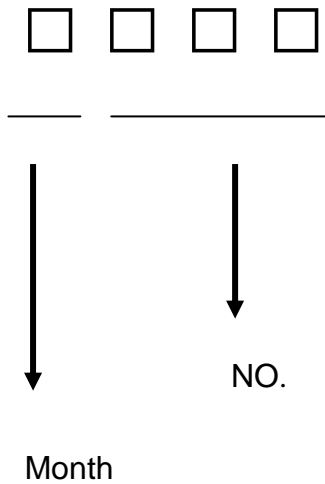
Drawing No.	Rev.	Date	Page
EL-L01-LT102F-DSM-D2411	A	2018/05/28	2/7


**Description of P/N No.**

**EL - L01-LT10 2F - DSM- D2411**



**Description of Lot.**



**Solidlite Corp.** 

P/N : \_\_\_\_\_

Lot : \_\_\_\_\_

Date: \_\_\_\_\_ . Rank: \_\_\_\_\_

Q'ty : \_\_\_\_\_ . QA : \_\_\_\_\_

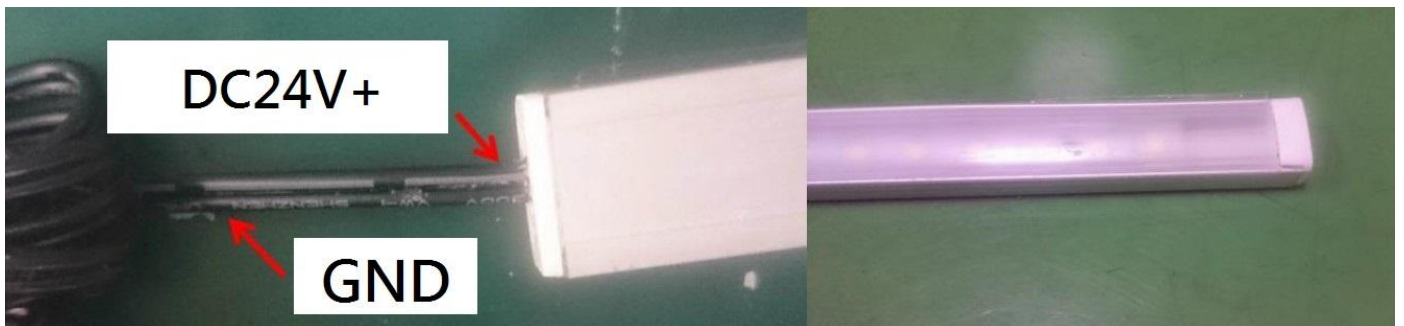
Drawing No.	Rev.	Date	Page
EL-L01-LT102F-DSM-D2411	A	2018/05/28	3/7

## Specification for Approval

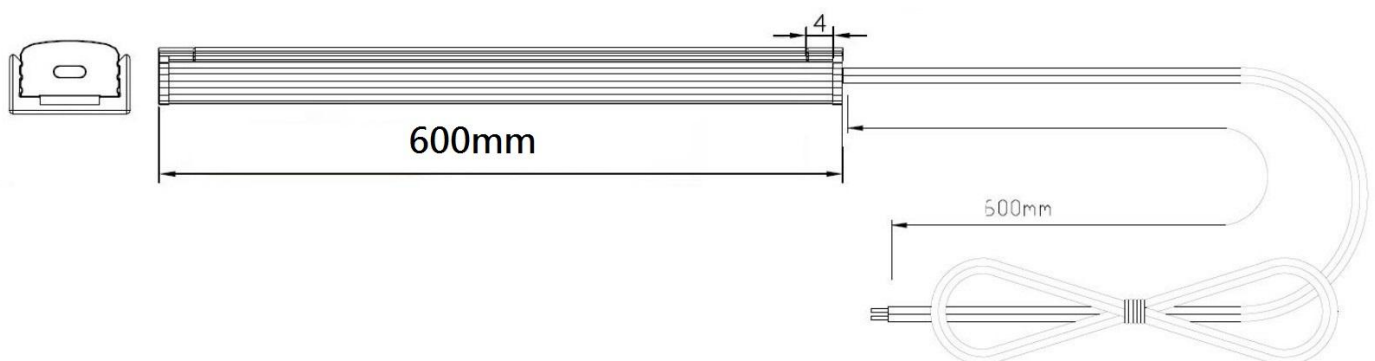
**Product:** Batten Light

**Part Number:** EL-L01-LT102F-DSM-D2411

**Customer:**



### Product size





Drawing No.	Rev.	Date	Page
EL-L01-LT102F-DSM-D2411	A	2018/05/28	4/7

## Applications

**Area:** Indoor use only

**Purpose:**

Plant Growing Lighting, Office Lighting, Meeting Room Lighting, Shop Lighting, Classroom Lighting, Factory Lighting...

## Product Overview

※ Aluminum heat-sink base can dissipate more heat and lead to a longer life span.

## Specification

**Outline Dimension:** (L)600 (±4mm)mm

**Input Voltage /Current:** DC24V/480mA

**Operating Temperature / Relative Humidity:** 0°C ~ 35°C / 20% ~ 80 %RH

**Storage Temp Range / Relative Humidity:** -20°C ~ 60°C / 20% ~ 80 %RH

**Ingress Protection:** Coating

**Life Expectancy of LEDs :**40000hrs (@IF=60mA Ta=25°C )

**Heat-Sink Surface Temp:** <60 °C

## Safety warning

**Cautions:**

Don't drop the luminaire on the ground since the luminaire will be damaged

## Warranty

Warranty 1year.Should not have an adverse early.

Within one years, must be greater than the specification brightness light efficiency of 70%.

## Warnings

Don't expose this product in the high temperature and high humidity environment.



Drawing No.	Rev.	Date	Page
EL-L01-LT102F-DSM-D2411	A	2018/05/28	5/7

## Electronic Characteristic

### Absolute Maximum Ratings at T<sub>a</sub>=25°C

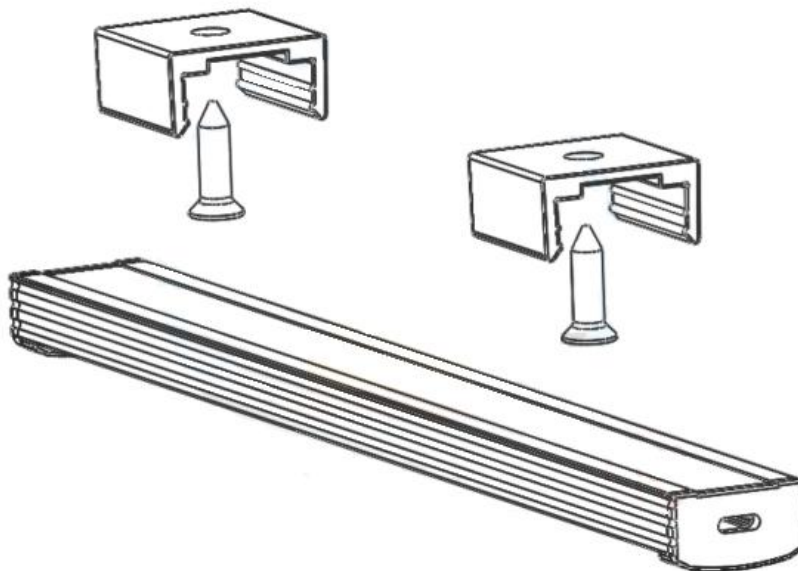
Item	EL-L01-LT102F-DSM-D2411
LED Quantity	56pcs
DC V input	24V
DC I input	0.48A
Power Dissipation	11W±10% (9.9W~12.1W)
Heat-Sink Spec.	Aluminum
Mask Spec.	PC
PCB Spec.	FR4
Tube Length	600 (±4mm)mm
Body diameter	15±1mm
Net weight	60g±20g

Drawing No.	Rev.	Date	Page
EL-L01-LT102F-DSM-D2411	A	2018/05/28	6/7

## Optical Characteristic

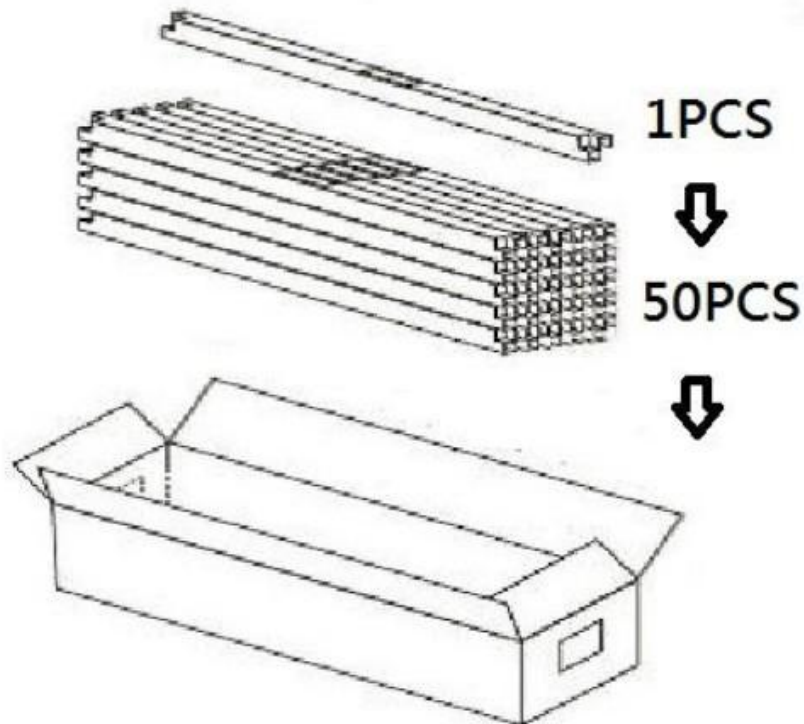
Item	EL-L01-LT102F-DSM-D2411
View Angle	120°
Quantum (The center of the amount of survey)	>40umol m-2s-1 @30cm reference value with Delta HD2102.2
COLOR	DSM
CRI	>80

## Installation Instructions



Drawing No.	Rev.	Date	Page
EL-L01-LT102F-DSM-D2411	A	2018/05/28	7/7

## Package information



Q'ty = 50 pcs

L = 1250mm, W = 215mm, H = 180mm



**This product is prohibited material immersed in liquid.**

- According to our design, the device is driven by 100~240V of AC power.
- The fluorescent is designed for moisture-proof use only. Don't put it into water.
- It is normal that the device will delay starting 2 seconds due to carrier charging after the turning on.