



Drawing No.	Rev.	Date	Page
EL-L01-LT101F-DSB-D2406	A	2017/10/24	1/8

APPROVAL SHEET

Part No: **EL-L01-LT101F-DSB-D2406**

NOTE :
WIDE-BAND

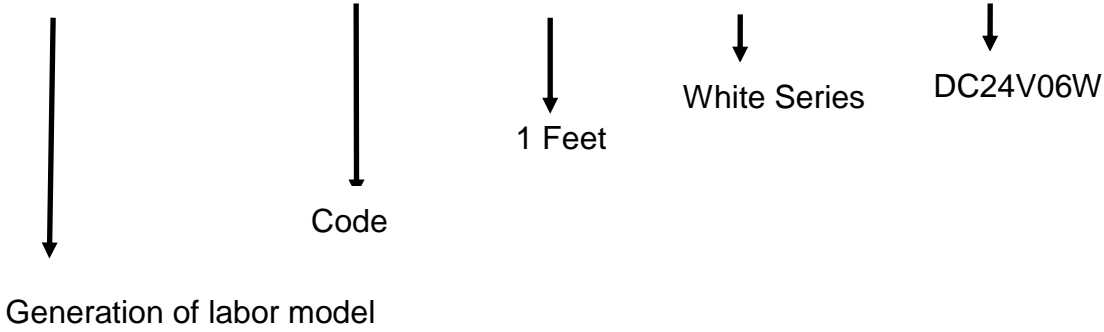
MAKER			CUSTOMER	
R&D	QA	Sales	Checked	Approved

Prepared	Checked	Approved
Rachel Lee	Evan Chang	Kenneth Wu

Drawing No.	Rev.	Date	Page
EL-L01-LT101F-DSB-D2406	A	2017/10/24	2/8


Description of P/N No.

EL - L01-LT10 1F - DSB- D2406(*)



Description of Lot.

 ↓ ↓
 Month NO.

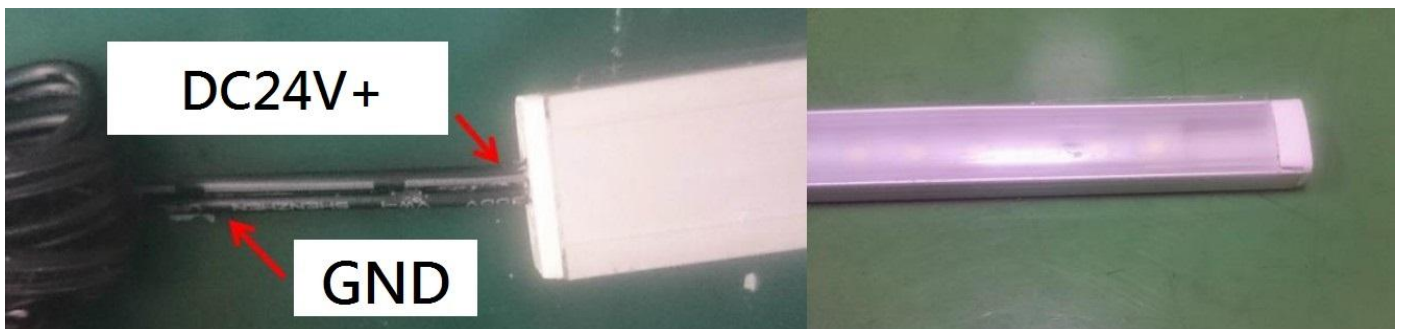
Solidlite Corp. 
 P/N : _____
 Lot : _____
 Date: _____ . Rank: _____
 Q'ty : _____ . QA : _____

Drawing No.	Rev.	Date	Page
EL-L01-LT101F-DSB-D2406	A	2017/10/24	3/8

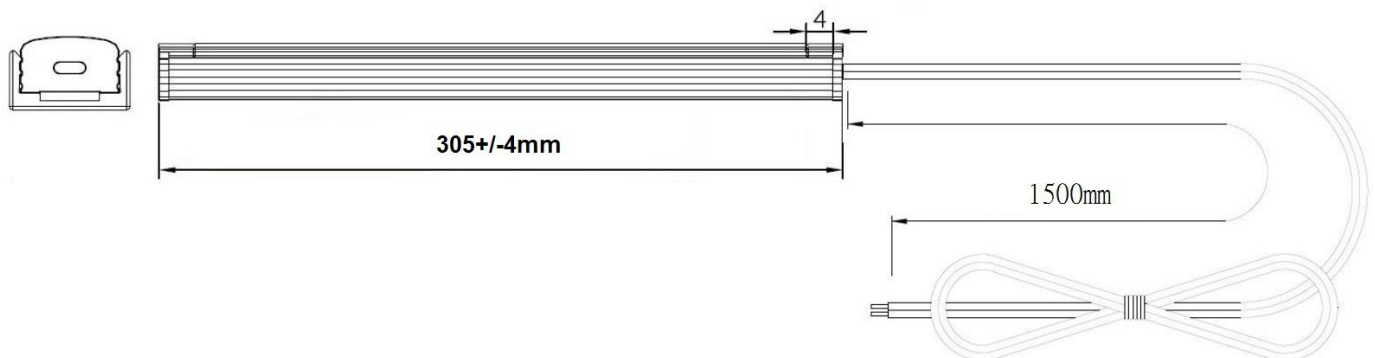
Specification for Approval

Product: LED BAR

Part Number: EL-L01-LT101F-DSB-D2406



Product size





Drawing No.	Rev.	Date	Page
EL-L01-LT101F-DSB-D2406	A	2017/10/24	4/8

Applications

Area: Indoor use only

Purpose:

Plant Growing Lighting, Office Lighting, Meeting Room Lighting , Shop Lighting , Classroom Lighting, Factory Lighting ,.....

Product Overview

※ Aluminum heat-sink base can dissipate more heat and lead to a longer life span.

Specification

Outline Dimension: (L) 305 (±4mm)mm

Input Voltage /Current: DC24V/240mA

Operating Temperature / Relative Humidity: 0°C ~ 35°C / 20% ~ 80 %RH

Storage Temp Range / Relative Humidity: -20°C ~ 60°C / 20% ~ 80 %RH

Ingress Protection: Coating

Life Expectancy of LEDs :40000hrs (@IF=60mA Ta=25°C)

Heat-Sink Surface Temp: <60 °C

Safety warning

Cautions:

Don't drop the luminaire on the ground since the luminaire will be damaged

Warranty

Warranty 1 years.

Should not have an adverse early.

Within three years, must be greater than the original brightness light efficiency of 70%.

Warnings

Don't expose this product at the high temperature and high humidity environment

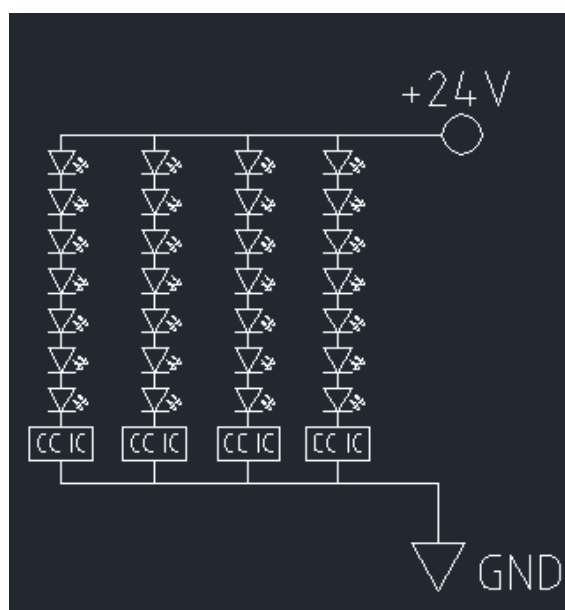
Drawing No.	Rev.	Date	Page
EL-L01-LT101F-DSB-D2406	A	2017/10/24	5/8

Electronic Charateristic

Absolute Maximum Ratings at $T_a=25^{\circ}\text{C}$

Item	EL-L01-LT101F-DSB-D2406
LED Quantity	28pcs
DC V input	24V
DC I input	0.240A
Power Dissipation	5.76W \pm 10%
Heat-Sink Spec.	Aluminum
Mask Spec.	PC
PCB Spec.	FR4
Length	305 (\pm 4mm)mm
Width	15 \pm 1mm
Net weight	30g \pm 10g

Typical Internal Equivalent Circuits

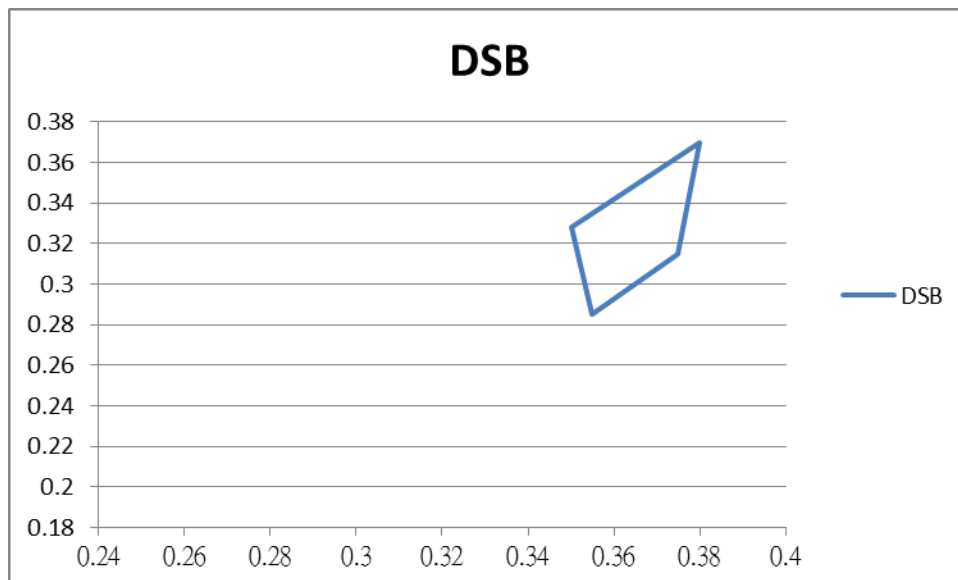


Drawing No.	Rev.	Date	Page
EL-L01-LT101F-DSB-D2406	A	2017/10/24	6/8

Optical Characteristic

Item	EL-L01-LT101F-DSB-D2406
View Angle	120°
Quantum (The center of the amount of survey)	>25umol m-2s-1 @30cm reference value with Delta HD2102.2
COLOR	DSB

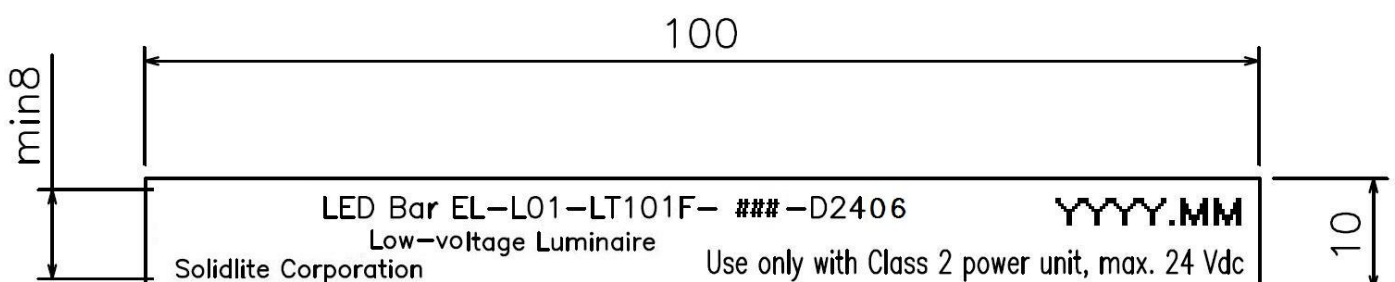
Chromaticity Coordinate



CIE X./Y :

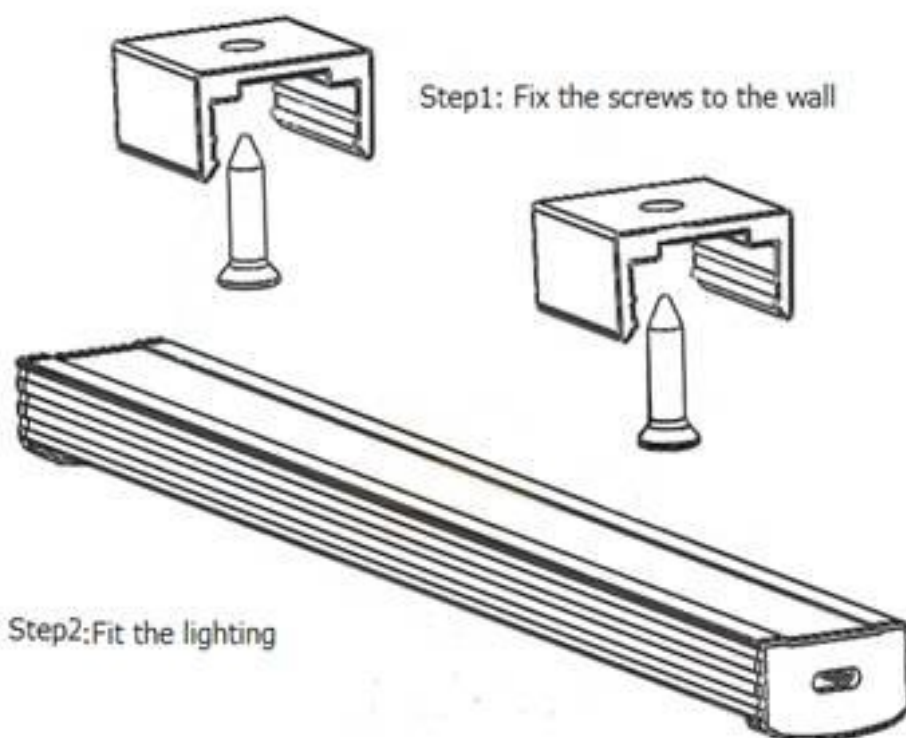
B1 --- (0.350, 0.328) (0.380, 0.370) (0.375, 0.315) (0.355, 0.285)

LABEL



Drawing No.	Rev.	Date	Page
EL-L01-LT101F-DSB-D2406	A	2017/10/24	7/8

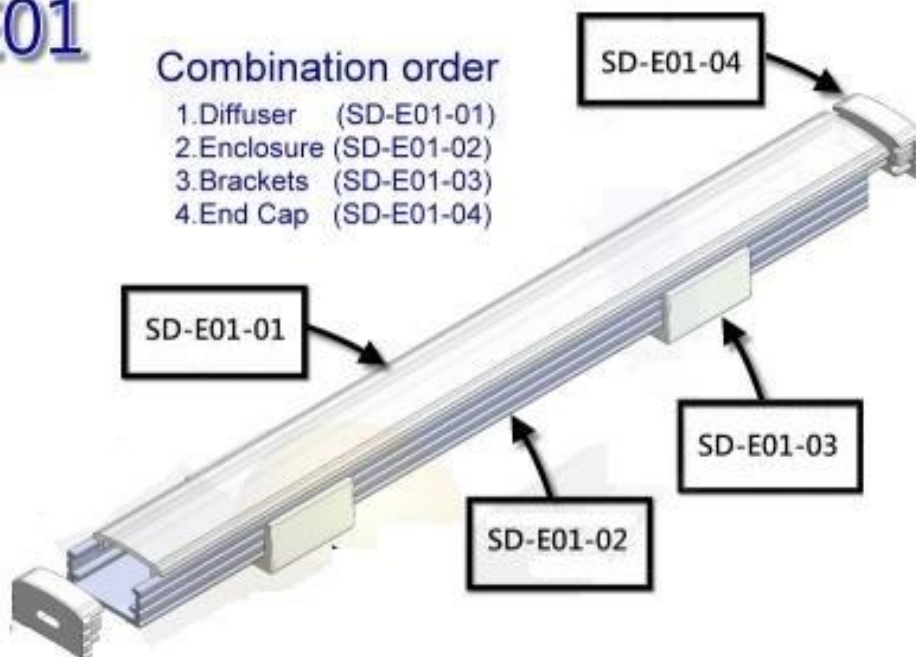
Installation Instructions



SD-E01

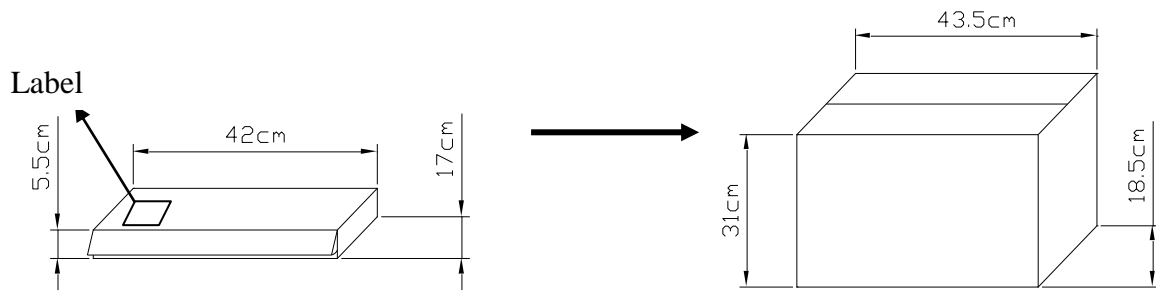
Combination order

1. Diffuser (SD-E01-01)
2. Enclosure (SD-E01-02)
3. Brackets (SD-E01-03)
4. End Cap (SD-E01-04)



Drawing No.	Rev.	Date	Page
EL-L01-LT101F-DSB-D2406	A	2017/10/24	8/8

Package information



20PCS/Small

5 Small Carton / big Carton

Total :100pcs