





Drawing No.	Rev.	Date	Page
EL-L01-LT101F-D3A-A-D2406	A	2021/12/22	1/8

# APPROVAL SHEET

Part No: **EL-L01-LT101F-D3A-A-D2406**

NOTE :  
**WIDE-BAND**

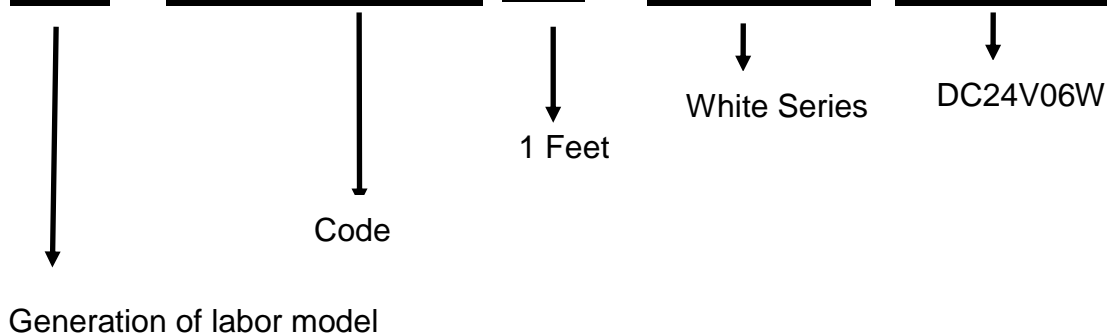
MAKER			CUSTOMER	
				
R&D	QA	Sales	Checked	Approved
				

Prepared	Checked	Approved
Rachel Lee	Evan Chang	Kenneth Wu

Drawing No.	Rev.	Date	Page
EL-L01-LT101F-D3A-A-D2406	A	2021/12/22	2/8


**Description of P/N No.**

**EL - L01-LT10 1F - D3A-A- D2406(\*)**



**Description of Lot.**

\_\_\_\_\_  
 ↓  
 ↓  
 Month                      NO.

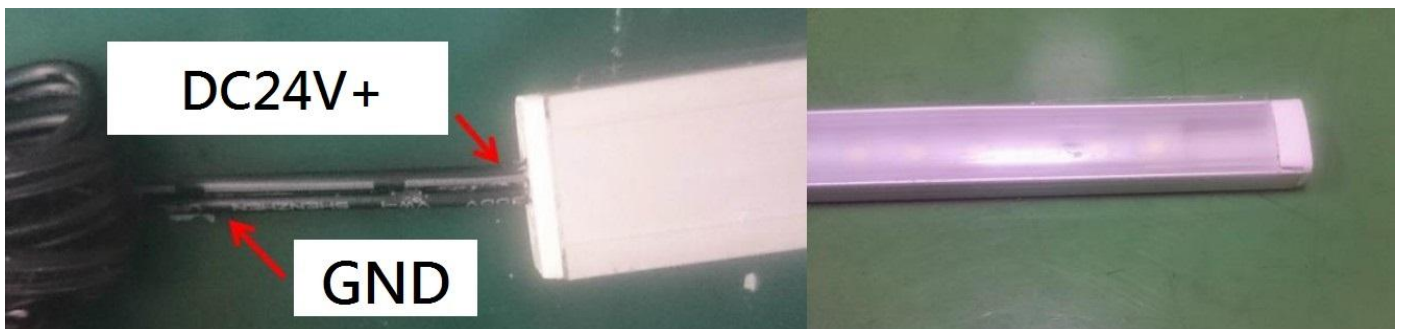
**Solidlite Corp.**   
 P/N : \_\_\_\_\_  
 Lot : \_\_\_\_\_  
 Date: \_\_\_\_\_ . Rank: \_\_\_\_\_  
 Q'ty : \_\_\_\_\_ . QA : \_\_\_\_\_

Drawing No.	Rev.	Date	Page
EL-L01-LT101F-D3A-A-D2406	A	2021/12/22	3/8

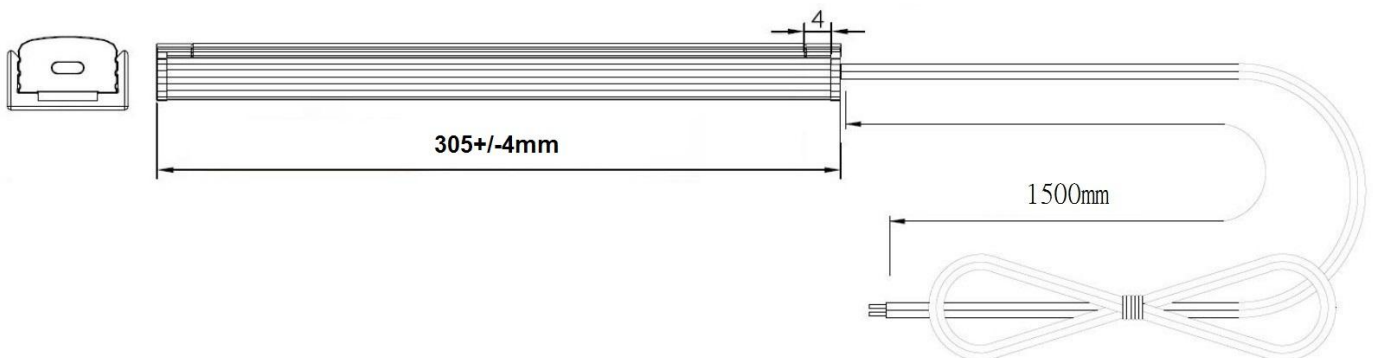
## Specification for Approval

**Product:** LED BAR

**Part Number:** EL-L01-LT101F-D3A-A-D2406



### Product size





Drawing No.	Rev.	Date	Page
EL-L01-LT101F-D3A-A-D2406	A	2021/12/22	4/8

## Applications

**Area:** Indoor use only

**Purpose:**

Plant Growing Lighting, Office Lighting, Meeting Room Lighting , Shop Lighting ,  
Classroom Lighting, Factory Lighting ,.....

## Product Overview

※ Aluminum heat-sink base can dissipate more heat and lead to a longer life span.

## Specification

**Outline Dimension:** (L) 305 (±4mm)mm

**Input Voltage /Current:** DC24V/240mA

**Operating Temperature / Relative Humidity:** 0°C ~ 35°C / 20% ~ 80 %RH

**Storage Temp Range / Relative Humidity:** -20°C ~ 60°C / 20% ~ 80 %RH

**Ingress Protection: Coating**

**Life Expectancy of LEDs :40000hrs (@IF=60mA Ta=25°C )**

**Heat-Sink Surface Temp: <60 °C**

## Safety warning

**Cautions:**

Don't drop the luminaire on the ground since the luminaire will be damaged

## Warranty

Warranty 1 years.

Should not have an a  
dverse early.

Within three years, must be greater than the original brightness light efficiency of 70%.

## Warnings

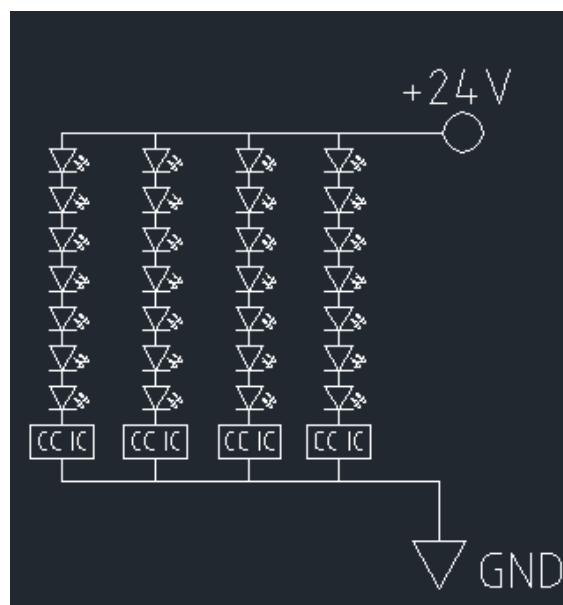
Don't expose this product at the high temperature and high humidity environment

## Electronic Charateristic

### Absolute Maximum Ratings at $T_a=25^{\circ}\text{C}$

Item	EL-L01-LT101F-D3A-A-D2406
LED Quantity	28pcs
DC V input	24V
DC I input	0.240A
Power Dissipation	5.76W $\pm$ 10%
Heat-Sink Spec.	Aluminum
Mask Spec.	PC
PCB Spec.	FR4
Length	305 ( $\pm$ 4mm)mm
Width	15 $\pm$ 1mm
Net weight	30g $\pm$ 10g

## Typical Internal Equivalent Circuits

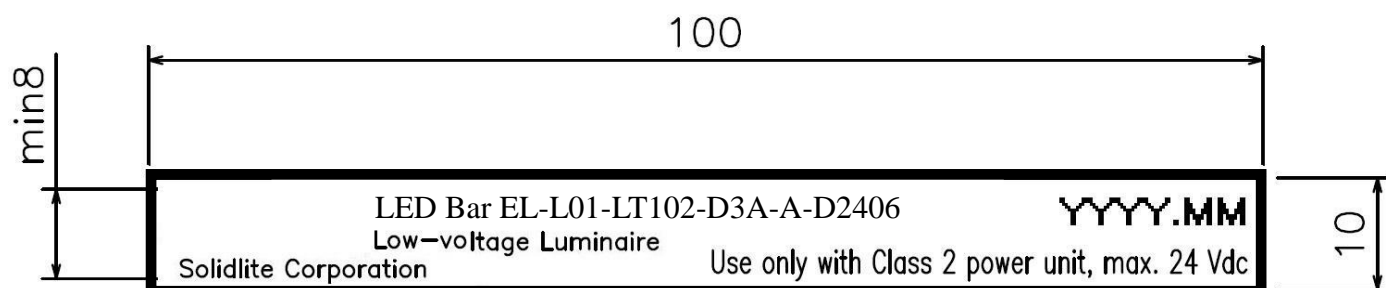


Drawing No.	Rev.	Date	Page
EL-L01-LT101F-D3A-A-D2406	A	2021/12/22	6/8

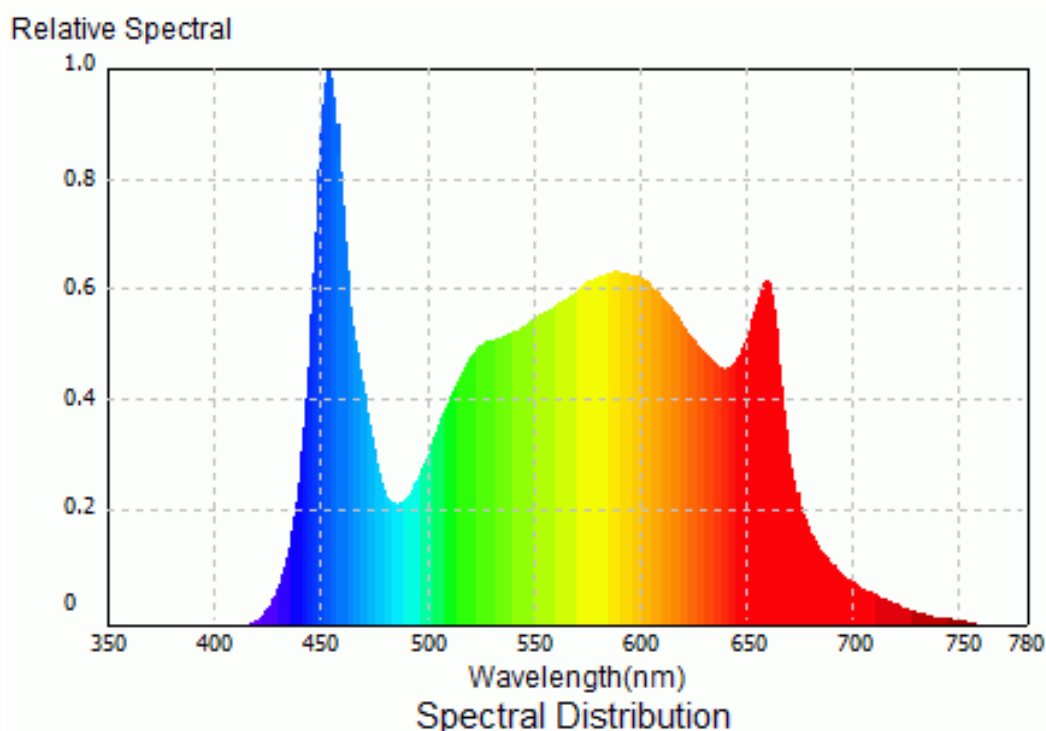
## Optical Characteristic

Item	EL-L01-LT101F-D3A-A-D2406
View Angle	120°
Quantum (The center of the amount of survey)	>45umol m-2s-1 @30cm reference value with Delta HD2102.2

## LABEL

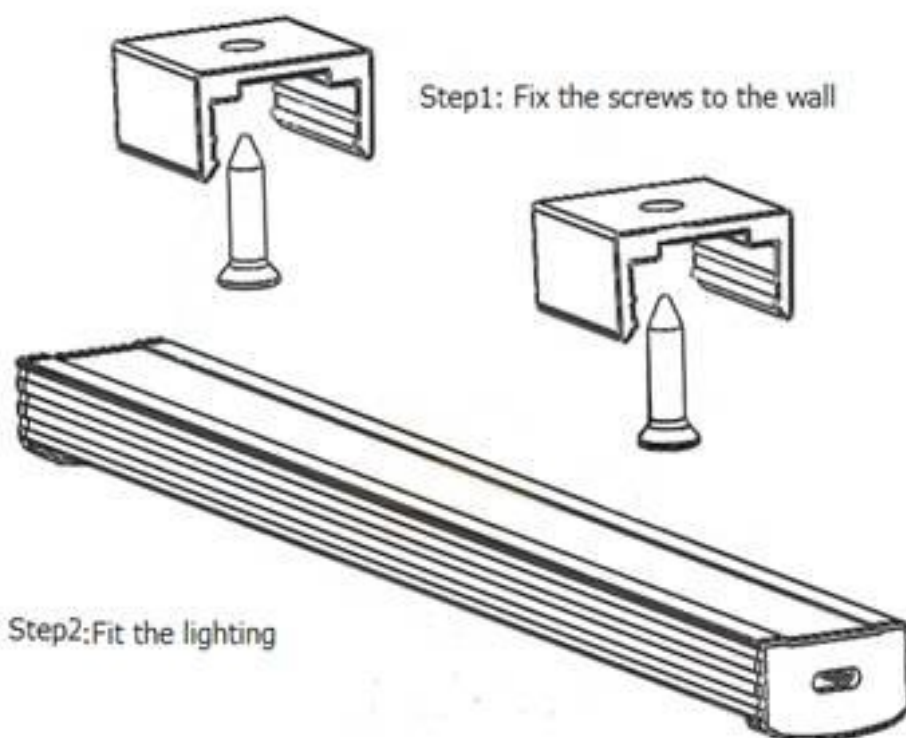


## Wavelength(nm)



Drawing No.	Rev.	Date	Page
EL-L01-LT101F-D3A-A-D2406	A	2021/12/22	7/8

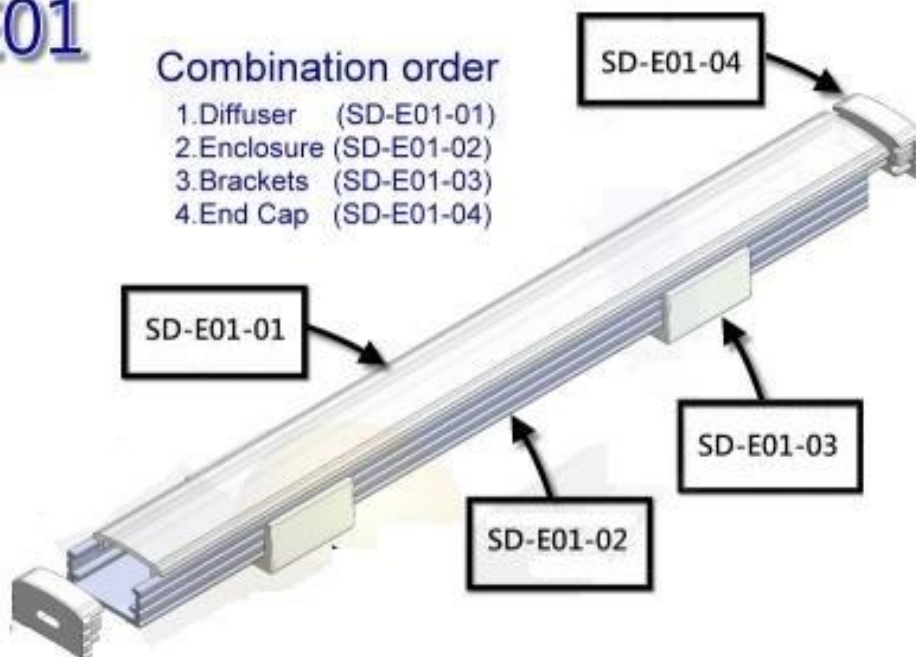
## Installation Instructions



## SD-E01

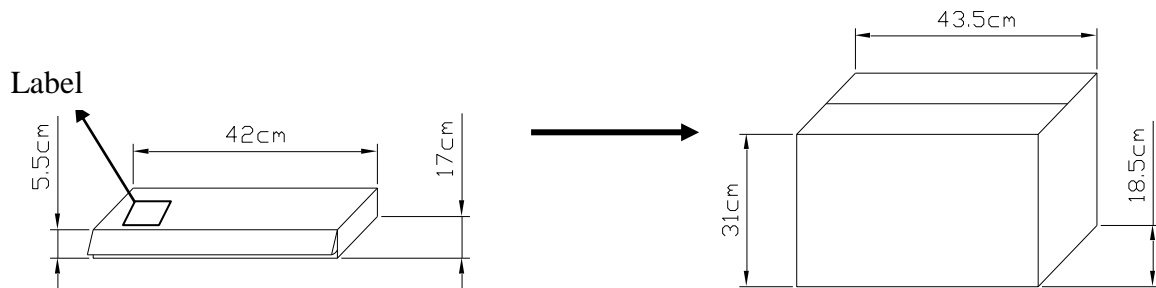
### Combination order

1. Diffuser (SD-E01-01)
2. Enclosure (SD-E01-02)
3. Brackets (SD-E01-03)
4. End Cap (SD-E01-04)



Drawing No.	Rev.	Date	Page
EL-L01-LT101F-D3A-A-D2406	A	2021/12/22	8/8

**Package information**



**20PCS/Small**

**5 Small Carton / big Carton**

**Total :100pcs**